

STANFORD 660 PEDESTAL LAVATORY

Cat. No.
3-84X



Faucet not included

Features:

- ▶ Made of Vitreous China
- ▶ Available for 4" CC or 8" widespread
- ▶ Pre-drilled overflow slot
- ▶ Mounting Hardware Included
- ▶ IAPMO certified
- ▶ For ease installation order **Hangers (pair)** or **Bracket (one)**

Colors:

WH White
BQ Bisque



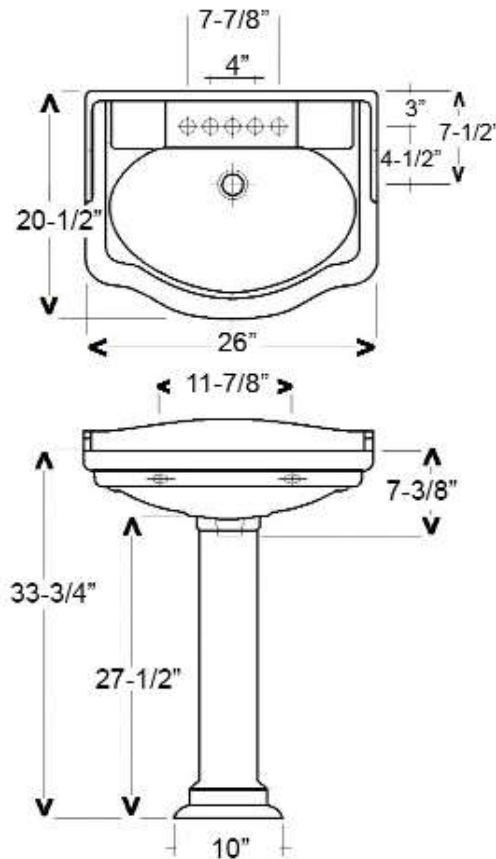
Compliance Certification

Meets or exceeds the following specifications: ASME A112.19.2 2018 and CSA B45.1-18 for ceramic plumbing fixtures.

W: 26"
D: 20-1/2"
Total Height: 35-3/4"
Height to top of the sink: 33-3/4"

Interior Dimensions:

Basin Interior: 21-3/8" x 12-3/4"
Basin Depth: 5-7/8"
Water depth to overflow: 4-7/8"
Back of basin to center of faucet: 3"
Back of basin to center of drain: 7-1/2"
Mount bolts height: 31-1/8"
Mount holes cc: 11-7/8"
Faucet and spout holes: 1-3/8"
Flange: 1-5/8"



Dimensions of fixture are nominal and may vary within the range of tolerances established by ASME Standard A112.19.2-2018. Dimensions and specifications subject to change without notice.