

**SIMONE 67"
FREESTANDING
RECTANGULAR TUB**

Cat. No.
ATFRECN67IG-XX



L: 67"
W: 30-1/2"
H: 23-3/4"

Water depth: 17-3/8" to top of tub
Water depth: 14-1/4" to OF
Overflow slot length: 2-1/2"
Center drain to back of rim: 15"
Bottom of drain to floor: 4-7/8"
Bathing well to floor: 5-3/4"

The following is recommended for
ATFRECN67 tubs:
•Faucets: part #7901 or 7913



For easier installation we
recommend use of 5598-ITD
Easy Install Rough In Kit

Gallon Capacity with OF: 44
Shipping Weight: 142 lbs.
Empty Weight: 82 lbs.
Filled Weight with OF: 450 lbs.

Features:

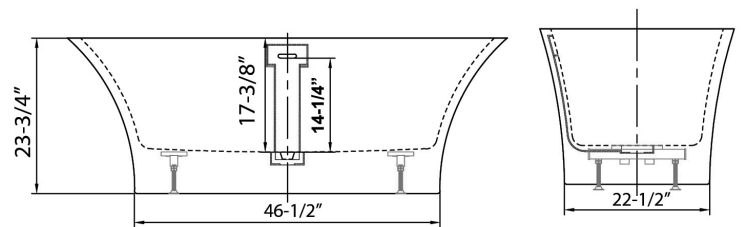
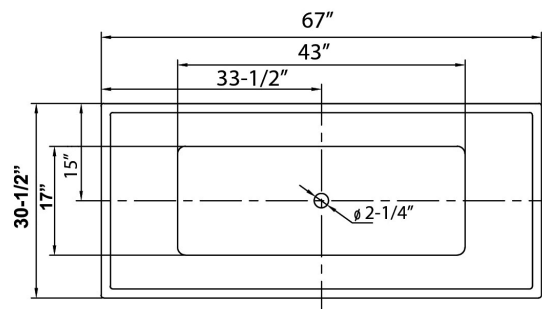
- ▶ Interior and exterior walls acrylic sheets
- ▶ Drain and overflow covers included (available in 6 finishes)
- ▶ Rim is 1-1/2" wide
- ▶ Overflow slot with integrated drain
- ▶ Drain included
- ▶ No faucet holes
- ▶ Angle slope of tub: 20°
- ▶ Includes built-in adjusters
- ▶ Tub is thoroughly inspected before shipment
- ▶ Option to add foam insulation between tub walls available
- ▶ Not compatible with air jet system



Finishes:

- CP** Polished Chrome
- PB** Polished Brass
- PN** Polished Nickel
- BN** Brushed Nickel
- ORB** Oil Rubbed Bronze
- WT** White

Custom Colors Available (inside of tub is always white enamel):
Painted bathtubs are considered "special order" and are not returnable
\$160 Bisque or Black \$250 Designer Color



Dimensions of fixture are nominal and specifications subject to change without notice.

10/21/2020

P 847•244•1234

www.barclayproducts.com