

# HAVERHILL OVAL LAVATORY BOWL

Cat. No.  
7-758



## **Features:**

- ▶ Above Counter
- ▶ Oval design
- ▶ 16 Gauge Metal
- ▶ No overflow
- ▶ 1-5/8" drain fitting
- ▶ 1/4" Rim
- ▶ Flange measures 2-1/2" in diameter and 1/4" height
- ▶ Copper is a living finish and will patina over time

## **Finish:**

**AC** Hammered Antique Copper

Due to the handmade nature of this product, variations in size and finish may occur. Such variations do not constitute manufacturer defects.

## **Top of Vessel:**

W: 17-1/4"  
D: 14-3/4"

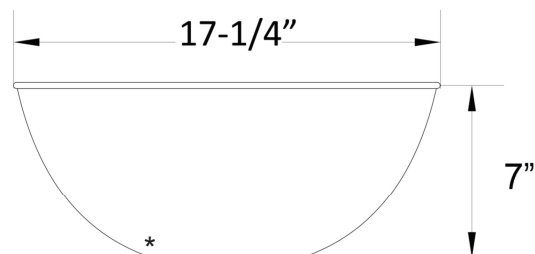
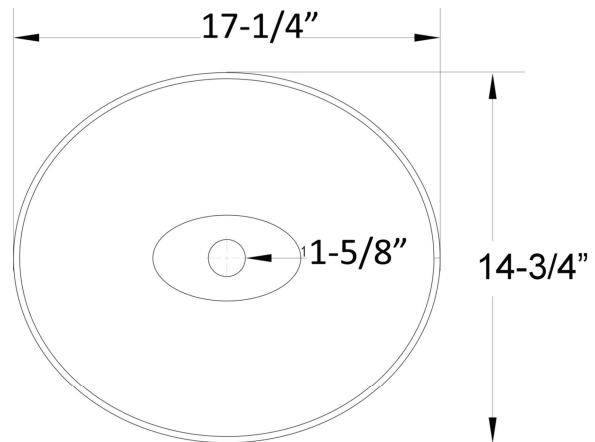
Above Counter Height: 7"

## **Bottom of Vessel:**

W: 5-5/8"  
D: 3-5/8"

## **Interior Dimensions:**

Basin Interior: 16-5/8" x 13-7/8"  
Basin Depth: 6-7/8"



Dimensions of fixture are nominal and may vary. Dimensions and specifications subject to change without notice.