

# ALDO LARGE COPPER LAVATORY BOWL

Cat. No.  
6733



## **Features:**

- ▶ 18 Gauge Metal
- ▶ Self-rimming
- ▶ Round
- ▶ No overflow
- ▶ For use with standard 1-1/4" drain
- ▶ 1" Curved rim
- ▶ Flange measures 2-5/8" in diameter and 1/8" in height
- ▶ Also available as undermount (#6732)
- ▶ Copper is a living finish and will patina over time
- ▶ Pewter will not patina under normal circumstances

## **Finishes:**

- AC** Hammered Antique Copper
- PE** Hammered Pewter

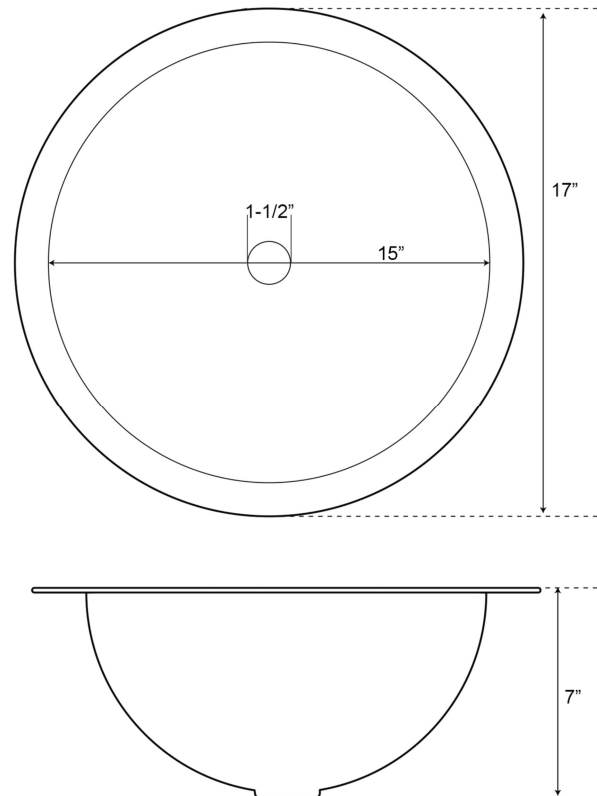
Due to the handmade nature of this product, variations in size and finish may occur. Such variations do not constitute manufacturer defects.

## **Basin Dimensions:**

Diameter: 17"  
Height: 7"

## **Interior Dimensions:**

Diameter: 15"  
Basin Depth: 6-5/8"



Dimensions of fixture are nominal and may vary. Dimensions and specifications subject to change without notice.