

DREW 610 WALL-HUNG BASIN

CAT. NO
4-911X



Faucet not included



Mounting hardware

W: 24-1/8"
D: 18-3/4"
H: 9"

Water depth 5" to overflow

Interior Dimensions:

Basin interior:	16" x 10-1/4"
Basin depth:	6-1/4"
Faucet and spout holes:	1-1/2"
Back of basin to center of faucet:	3"
Back of basin to center of drain:	8-5/8"
Mount holes cc:	6-1/2"

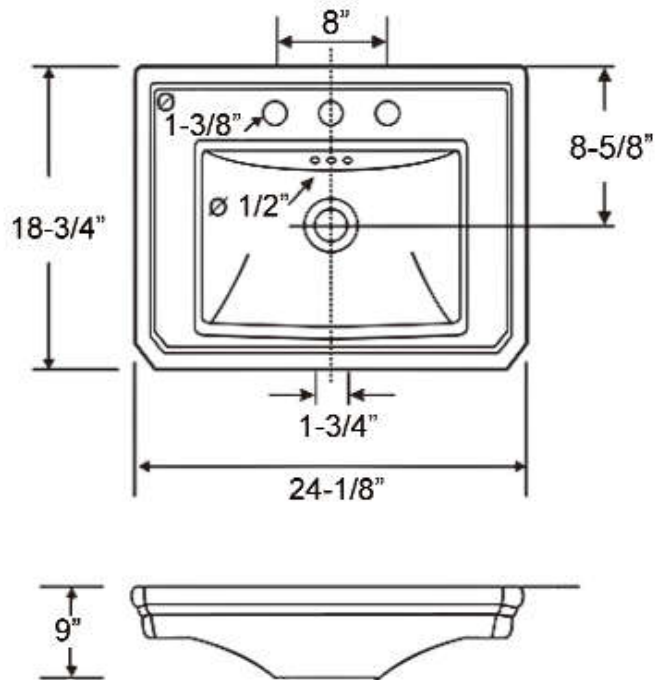
Features:

- ▶ Made of Vitreous China
- ▶ Available pre-drilled for single hole (4-9111), 4" centerset (4-9114), or 8" widespread faucet (4-9118)
- ▶ Overflow
- ▶ Mounting hardware included
- ▶ cUPC approved



Colors:
WH White

Meets or exceeds the following specifications: ASME A112.19.2 2018 and CSA B45.1-18 for ceramic plumbing fixtures.



Dimensions of fixture are nominal and may vary within the range of tolerances established by ASME Standard A112.19.2. Dimensions and specifications subject to change without notice.