

# DREW 610 PEDESTAL LAVATORY

CAT. NO  
3-911X



Faucet not included



Mounting hardware

W: 24- $\frac{1}{8}$ "  
D: 18- $\frac{3}{4}$ "  
H: 34- $\frac{1}{2}$ "

Column: 27- $\frac{1}{4}$ " x 12- $\frac{1}{8}$ " x 11- $\frac{1}{2}$ "  
Water depth 5" to overflow

## Interior Dimensions:

Basin interior:	16" x 10- $\frac{1}{4}$ "
Basin depth:	6- $\frac{1}{4}$ "
Faucet and spout holes:	1- $\frac{1}{2}$ "
Back of basin to center of faucet:	3"
Back of basin to center of drain:	8- $\frac{5}{8}$ "
Mount bolts height:	30- $\frac{3}{4}$ "
Mount holes cc:	6- $\frac{1}{2}$ "

## Features:

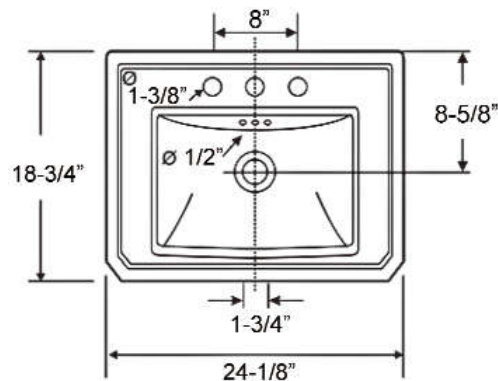
- ▶ Made of Vitreous China
- ▶ Available pre-drilled for single hole (3-9111), 4" centerset (3-9114), or 8" widespread faucet (3-9118)
- ▶ Overflow
- ▶ Mounting hardware included
- ▶ Back of column is open
- ▶ cUPC approved



Meets or exceeds the following specifications: ASME A112.19.2 2018 and CSA B45.1-18 for ceramic plumbing fixtures.

## Colors:

WH White



Dimensions of fixture are nominal and may vary within the range of tolerances established by ASME Standard A112.19.2. Dimensions and specifications subject to change without notice.