

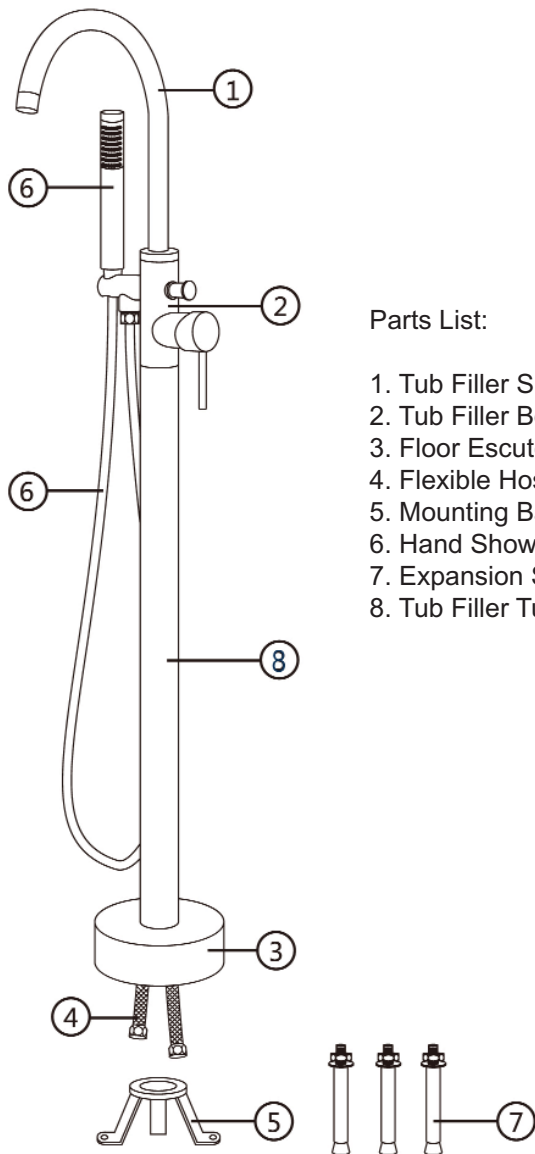
INSTALLATION INSTRUCTIONS

Parts Included

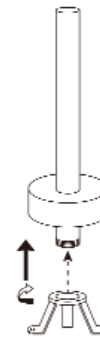
- 1 Freestanding Filler • 1 Handshower with Hose • 1 Cover Plate • 2 Flexible Hoses

Tools Needed

- Adjustable Wrench • Slip Joint Pliers • Teflon Pipe Tape • Philips Screwdriver



1. Thread floor escutcheon (3) on to Tub Filler Tube (8).



2. Secure Mounting Base (5) to floor using Expansion Screws (7).
Note: For wood floors heavy wood screws should be used in place of expansion screws.

Cleaning Instructions

Wipe this whole set off with warm water and a soft cloth. DO NOT use soaps, cleansers, or brass cleaners as they will disintegrate the protective lacquer coating and leave the brass exposed causing it to tarnish.

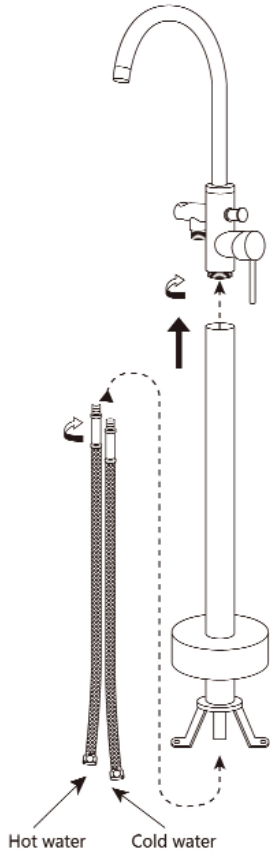
INSTALLATION INSTRUCTIONS

Parts Included

- 1 Freestanding Filler • 1 Handshower with Hose • 1 Cover Plate • 2 Flexible Hoses

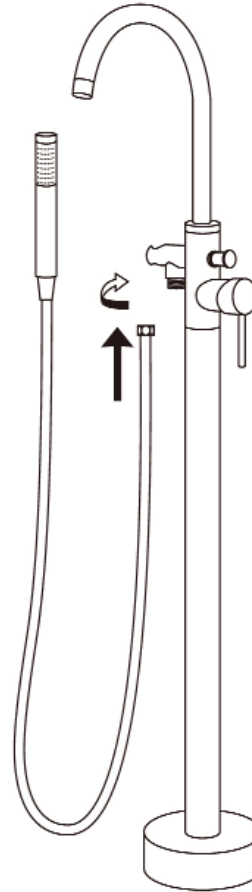
Tools Needed

- Adjustable Wrench • Slip Joint Pliers • Teflon Pipe Tape • Philips Screwdriver

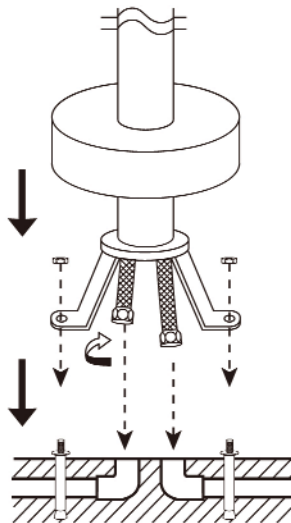


3 Feed Flexible Hoses (4) through Faucet Body Tube (8) and thread securely on to faucet connections.

4. Thread the Faucet Body Tube (8) on to the Faucet Body (2).



6. Connect the Handshower Hose (6) to both the Handshower and Faucet Body (2). Turn on water to test connections.



5. Tighten the Mounting Base (5) to the floor. Connect the Flexible Hoses (4) to the hot and cold water supplies. Hot and cold water lines will rough in just above the finished floor. Exact height to be determined on site.

Cleaning Instructions

Wipe this whole set off with warm water and a soft cloth. DO NOT use soaps, cleansers, or brass cleaners as they will disintegrate the protective lacquer coating and leave the brass exposed causing it to tarnish.