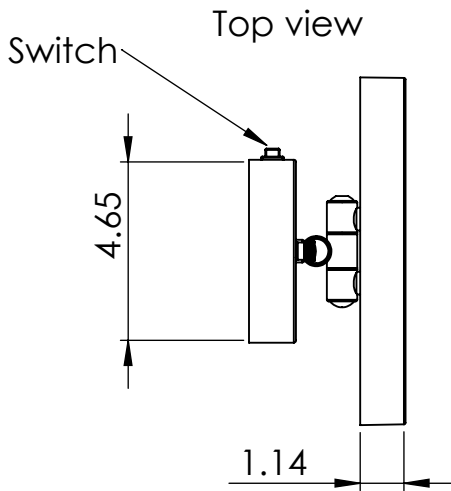
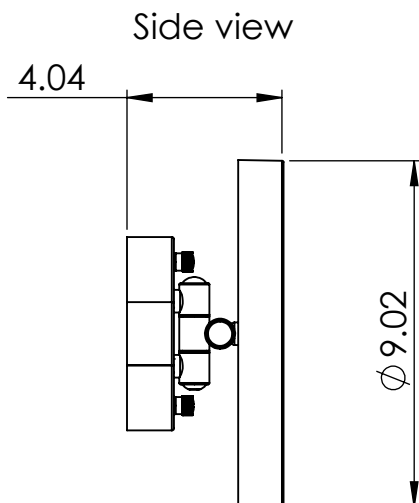


**DWG #** EH-1  
**DESC** EH-1 Baci Basic tilt\swivel round  
**CONFIG** Default  
**Inventory #**



The center of the mirror is directly over the center of the outlet box. Since the typical user's eye height is 58 3/4" the outlet box should be centered 58 3/4" above the floor, The mirror swivels up and down and right and left, so it allows for variables in height and position.



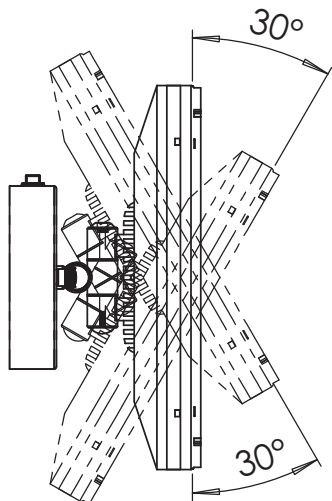
**Remcraft Lighting Products**

12870 NW 45th Avenue Miami, FL 33054 USA

3/4/2019

SHEET 1 OF 1

Top view  
Mirror tilts left and right



### Installation

- 1) Attach the backplate to the outlet box
- 2) Connect wires - green to ground, white to neutral and black to line
- 3) Place the mirror over the screws on the backplate
- 4) Place the plastic washers over the screws
- 5) Secure the mirror with the two canopy knobs

Side view  
Mirror tilts up and down

