

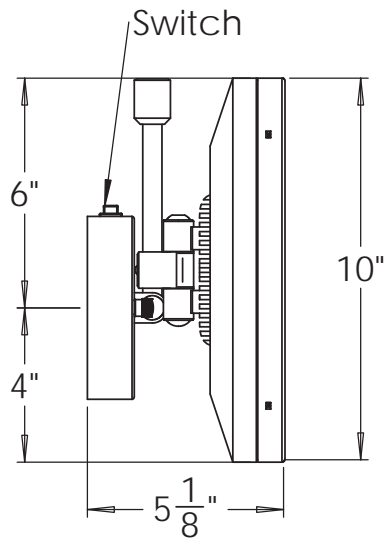


Catalog Number: BSR-X10-02

**BACI BY REMCRAFT**

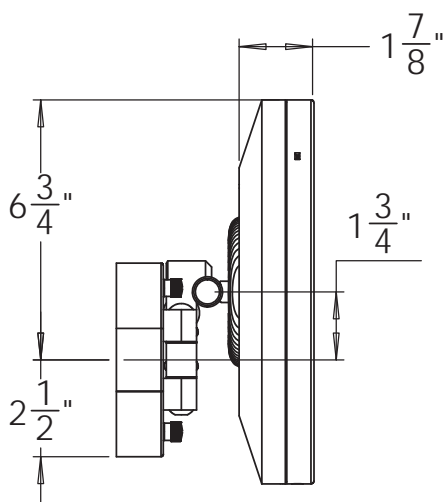
BSR-X10-02

Top View

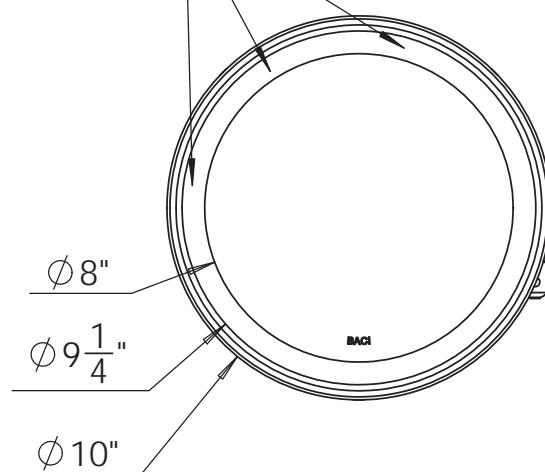


The center of the mirror is  $1 \frac{3}{4}$ " above the center of the outlet box. Since the typical user's eye height is  $58 \frac{3}{4}$ " the outlet box should be centered  $57$ " above the floor

Side View

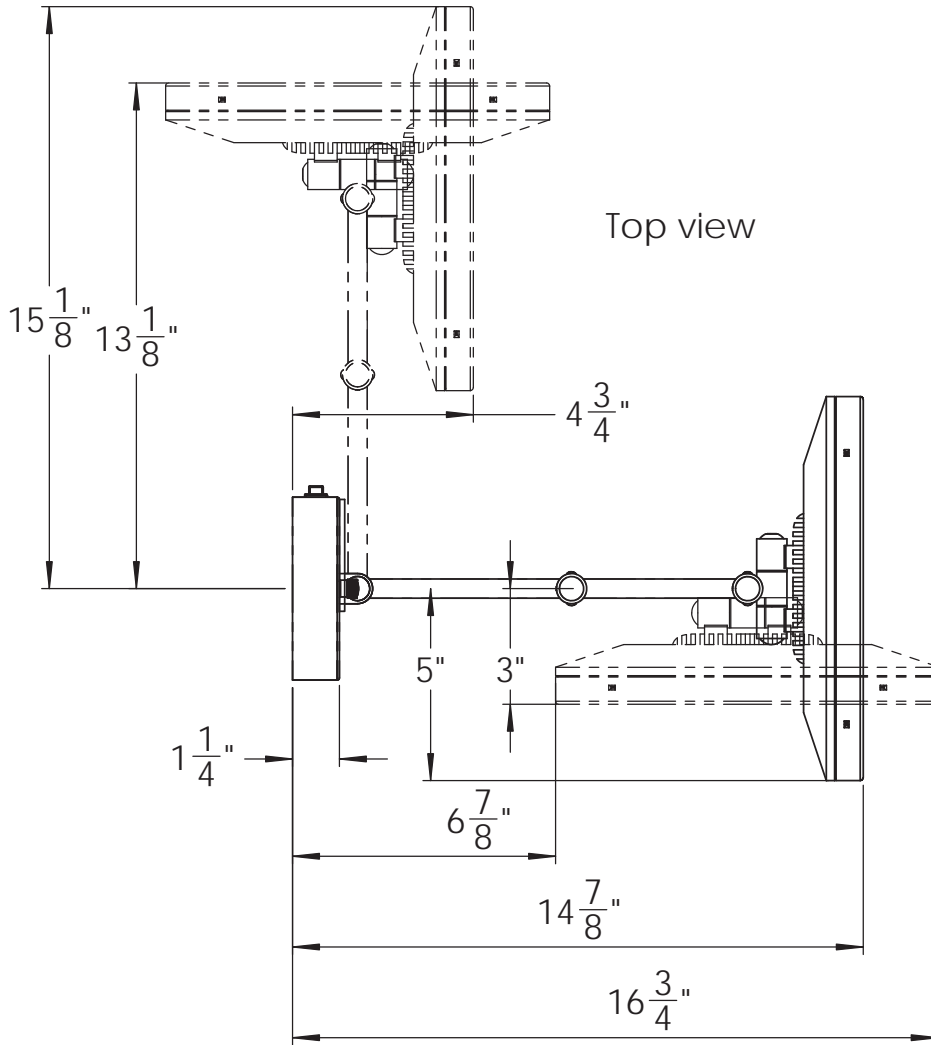


Lighted area

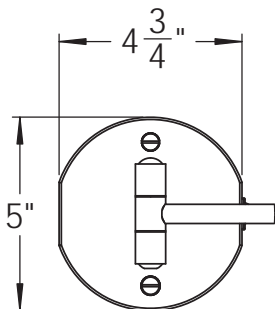




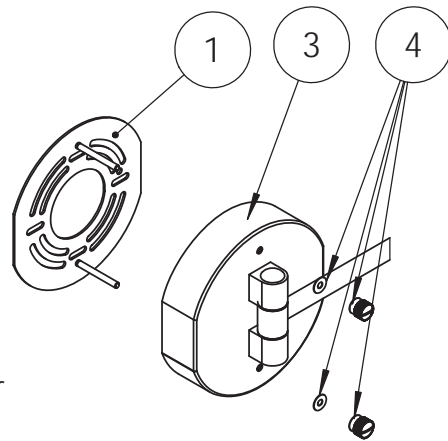
BSR-300



### Installation



- 1) Attach the backplate to the outlet box
- 2) connect wires - green to ground, white to neutral and black to line
- 3) Slide canopy over the screws protruding from the backplate
- 4) Slide plastic washers over the screws and secure with the trim nuts



**BSR-X10 10X magnified mirror**



<b>Product Category</b>	BJR-X10
<b>Special Features</b>	Solid brass construction Optical quality 10X glass mirror High power, natural white LED lighting 5-year warrantee
<b>Lighting</b>	Halo Light - High Power LED
Lumens	775
Color Temperature	3500° K
Color Rendering Index	80
<b>Electrical</b>	
Watts	9
Volts	100-240
Hertz (Frequency)	50/60
Amps (Current)	.22
<b>UL Listing</b>	Furnishing - suitable for commercial or residential use in damp locations (US/C)
<b>Dimensions</b>	Mirror body 10" diameter Folds to 10" wide x 10" high x 4 5/8" deep Canopy is 4 3/4" wide x 5" high Maximum extension 14 7/8"
<b>Body Type</b>	ABS
<b>Magnification</b>	10X
<b>Finish Options</b>	Standard - Chrome Premium - Satin Nickel, Polished Nickel, Polished Brass and Bronze Custom finishes available