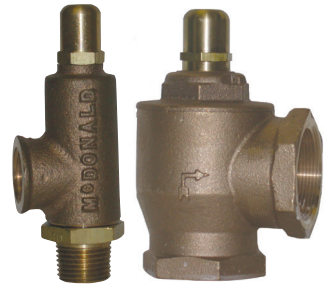
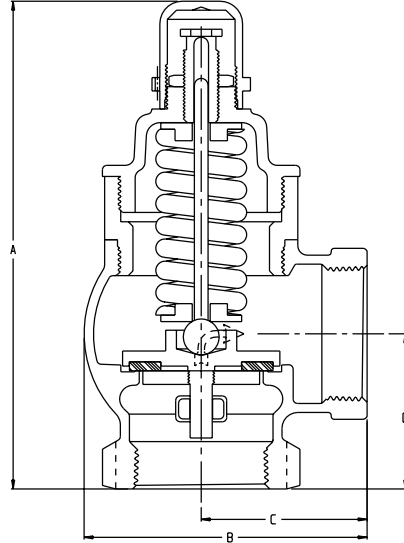
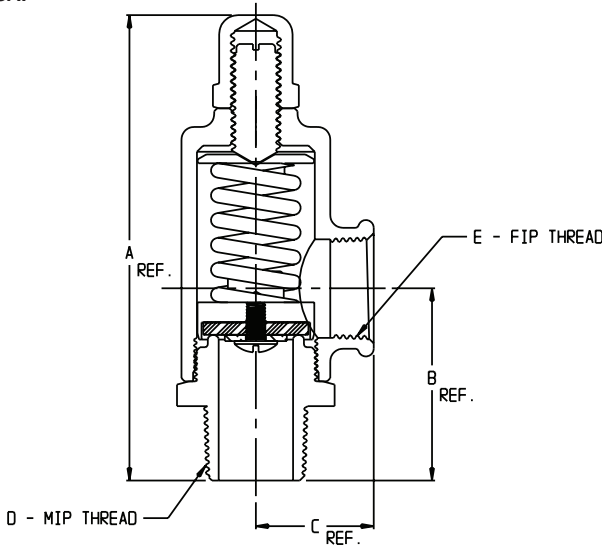


# SUBMITTAL DATA SHEET

## No-Lead Relief Valves No-Lead Relief Valves - 6214



A.Y. McDonald Mfg. Co. carries a full line of Industrial & Specialty valves and fittings. Refer to the parts description for proper application. Made in USA.



### Dimensions

| Size   | Pressure Rating | A    | B    | C    | D     | E     |
|--------|-----------------|------|------|------|-------|-------|
| 1/2"   | 75#             | 4.15 | 1.64 | 1.00 | 1/2   | 1/2   |
| 1/2"   | 30#             | 4.15 | 1.64 | 1.00 | 1/2   | 1/2   |
| 3/4"   | 100#            | 4.69 | 1.94 | 1.19 | 3/4   | 3/4   |
| 3/4"   | 75#             | 4.69 | 1.94 | 1.19 | 3/4   | 3/4   |
| 3/4"   | 30#             | 4.69 | 1.94 | 1.19 | 3/4   | 3/4   |
| 1"     | 100#            | 6.21 | 2.55 | 1.38 | 1     | 1     |
| 1"     | 75#             | 5.71 | 2.55 | 1.38 | 1     | 1     |
| 1"     | 30#             | 5.71 | 2.55 | 1.38 | 1     | 1     |
| 1 1/4" | 100#            | 6.03 | 2.66 | 1.75 | 1 1/4 | 1 1/4 |
| 1 1/4" | 65#             | 6.03 | 2.66 | 1.75 | 1 1/4 | 1 1/4 |
| 1 1/4" | 30#             | 6.03 | 2.66 | 1.75 | 1 1/4 | 1 1/4 |

### Dimensions

| Size   | Pressure Rating | A    | B    | C    | D    |
|--------|-----------------|------|------|------|------|
| 1 1/2" | 65#             | 6.79 | 3.94 | 2.31 | 2.16 |
| 1 1/2" | 30#             | 5.91 | 3.94 | 2.31 | 2.16 |
| 2"     | 65#             | 6.53 | 4.36 | 2.63 | 2.56 |
| 2"     | 30#             | 6.53 | 4.36 | 2.63 | 2.56 |

### SUBMITTAL INFORMATION

- Wetted surface of No-Lead Brass Construction
- Composition Disc on Brass Seat
- 180°F Max. Temperature
- Field Adjusting Not Recommended
- 1/2" - Factory set at 30 or 75 PSI
- 1 1/2", 2" - Factory set at 30 or 65 PSI
- 3/4" & 1" Factory set at 30, 75, or 100 PSI
- 1 1/4" Factory set at 30, 65, or 100 PSI

**NO-LEAD:** The weighted average of the wetted surface of this no-lead product contacted by consumable water contains less than one quarter of one percent (0.25%) lead.



**A.Y. McDonald Mfg. Co.**  
P.O. Box 508  
Dubuque, IA 52004-0508

**Toll Free: 1-800-292-2737**  
**Fax: 1-800-832-9296**  
**Hours: 7:00 a.m. - 5:00 p.m., CST**

[sales@aymcdonald.com](mailto:sales@aymcdonald.com)  
[www.aymcdonald.com](http://www.aymcdonald.com)

A.Y. McDonald considers the information on this assembly drawing correct when published. Item and option availability, including specifications, are subject to change without notice.

**Submitted by:**