

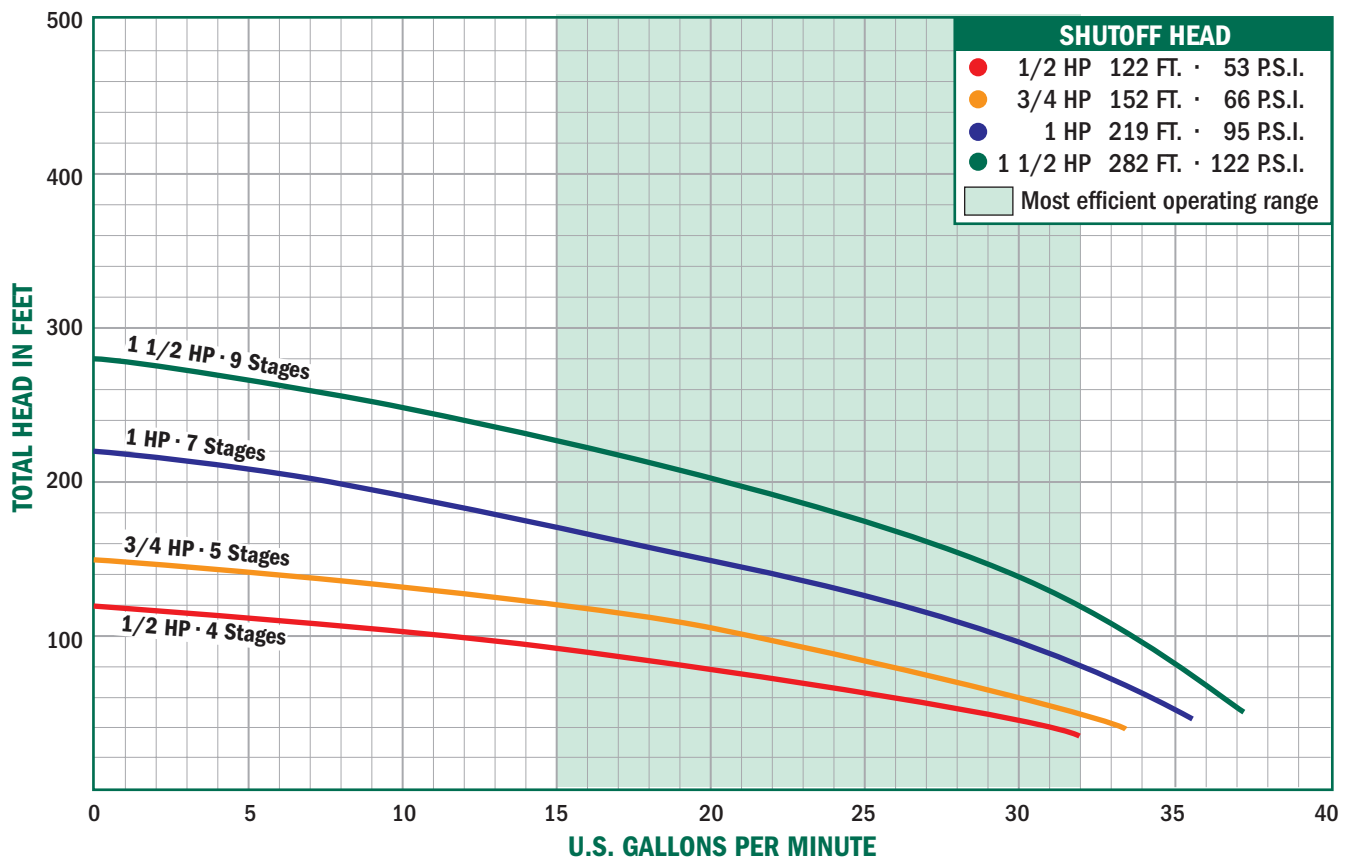
SUBMITTAL DATA SHEET

22000 Series
 4" No-Lead Thermoplastic Submersible Pumps
M - 25 GPM



A.Y. McDonald offers a full line of thermoplastic submersible pumps built for years of trouble free operation, with high-efficiency impellers and diffusers. These submersibles offer peak capacity performance in 5, 7, 10, 15, 20, and 25 gallons per minute (GPM). Other features include thermoplastic discharge head with a built-in check valve, and stainless steel shaft and coupling.

All Thermoplastic pumps have 1 1/4" discharge with internal check valve and sizes range from 1/2 to 1 1/2 horsepower (HP). Two or three wire models up to 1 1/2 horsepower (HP).



NO-LEAD: The weighted average of the wetted surface of this no-lead product contacted by consumable water contains less than one quarter of one percent (0.25%) lead.



A.Y. McDonald Mfg. Co.
 P.O. Box 508
 Dubuque, IA 52004-0508

Toll Free: 1-800-292-2737
Fax: 1-800-832-9296
Hours: 7:00 a.m. - 5:00 p.m., CST

sales@aymcdonald.com
 www.aymcdonald.com

A.Y. McDonald considers the information on this assembly drawing correct when published. Item and option availability, including specifications, are subject to change without notice.

Submitted by:

SUBMITTAL DATA SHEET

22000 Series 4" No-Lead Thermoplastic Submersible Pumps M - 25 GPM



Two Wire Single Phase

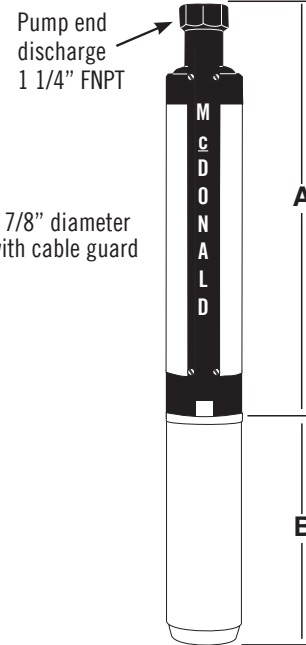
Model No.	HP	Stages	Volt	A	B	Wt.
22050M2A	1/2	4	115	10.94"	9.53"	23
22050M2	1/2	4	230	10.94"	9.53"	23
22075M2	3/4	5	230	12.48"	10.66"	25
22100M2	1	7	230	14.63"	11.75"	30
22150M2	1 1/2	9	230	16.78"	15.12"	39

Three Wire Single Phase

Model No.	HP	Stages	Volt	A	B	Wt.
22050M3A	1/2	4	115	10.94"	9.53"	23
22050M3	1/2	4	230	10.94"	9.53"	23
22075M3	3/4	5	230	12.48"	10.66"	25
22100M3	1	7	230	14.17"	11.75"	29
22150M3	1 1/2	9	230	16.78"	13.62"	35

4" Thermoplastic Pump Ends

Model No.	HP	Wt.
22050M	1/2	5
22075M	3/4	5
22100M	1	6
22150M	1 1/2	7



Output - in Gallons Per Minute (Depth to Water)

1/2 HP	PSI	25'	50'	75'	100'
	0	34.97	29.23	22.43	13.64
	30	15.93	2.93		
	40	4.38			

3/4 HP	PSI	25'	50'	75'	100'	125'	150'
	0	36.08	31.97	27.33	21.88	14.91	2.74
	30	23.22	16.71	6.80			
	40	17.27	7.85				
	50	8.81					

FRICION LOSSES IN RISER PIPE
HAVE NOT BEEN CALCULATED

1 HP	PSI	25'	50'	75'	100'	125'	150'	175'	200'
	0	38.23	35.39	32.34	29.02	25.34	21.13	16.10	9.38
	30	29.81	26.22	22.15	17.35	11.16			
	40	26.50	22.48	17.75	11.71	1.28			
	50	22.80	18.14	12.24	2.61				
	60	18.53		3.73					

1 1/2 HP	PSI	25'	50'	75'	100'	125'	150'	175'	200'	225'	250'	275'
	0	40.00	37.82	35.52	33.08	30.47	27.63	24.52	21.01	16.91	11.76	3.56
	30	33.65	31.08	28.30	25.26	21.85	17.91	13.07	6.06			
	40	31.28	28.52	25.50	22.13	18.24	13.49	6.76				
	50	28.74	25.74	22.40	18.56	13.90	7.42					
	60	25.98		18.87	14.29	8.04						

NO-LEAD: The weighted average of the wetted surface of this no-lead product contacted by consumable water contains less than one quarter of one percent (0.25%) lead.



A.Y. McDonald Mfg. Co.
P.O. Box 508
Dubuque, IA 52004-0508

Toll Free: 1-800-292-2737
Fax: 1-800-832-9296
Hours: 7:00 a.m. - 5:00 p.m., CST

sales@aymcdonald.com
www.aymcdonald.com

A.Y. McDonald considers the information on this assembly drawing correct when published. Item and option availability, including specifications, are subject to change without notice.

Submitted by: