

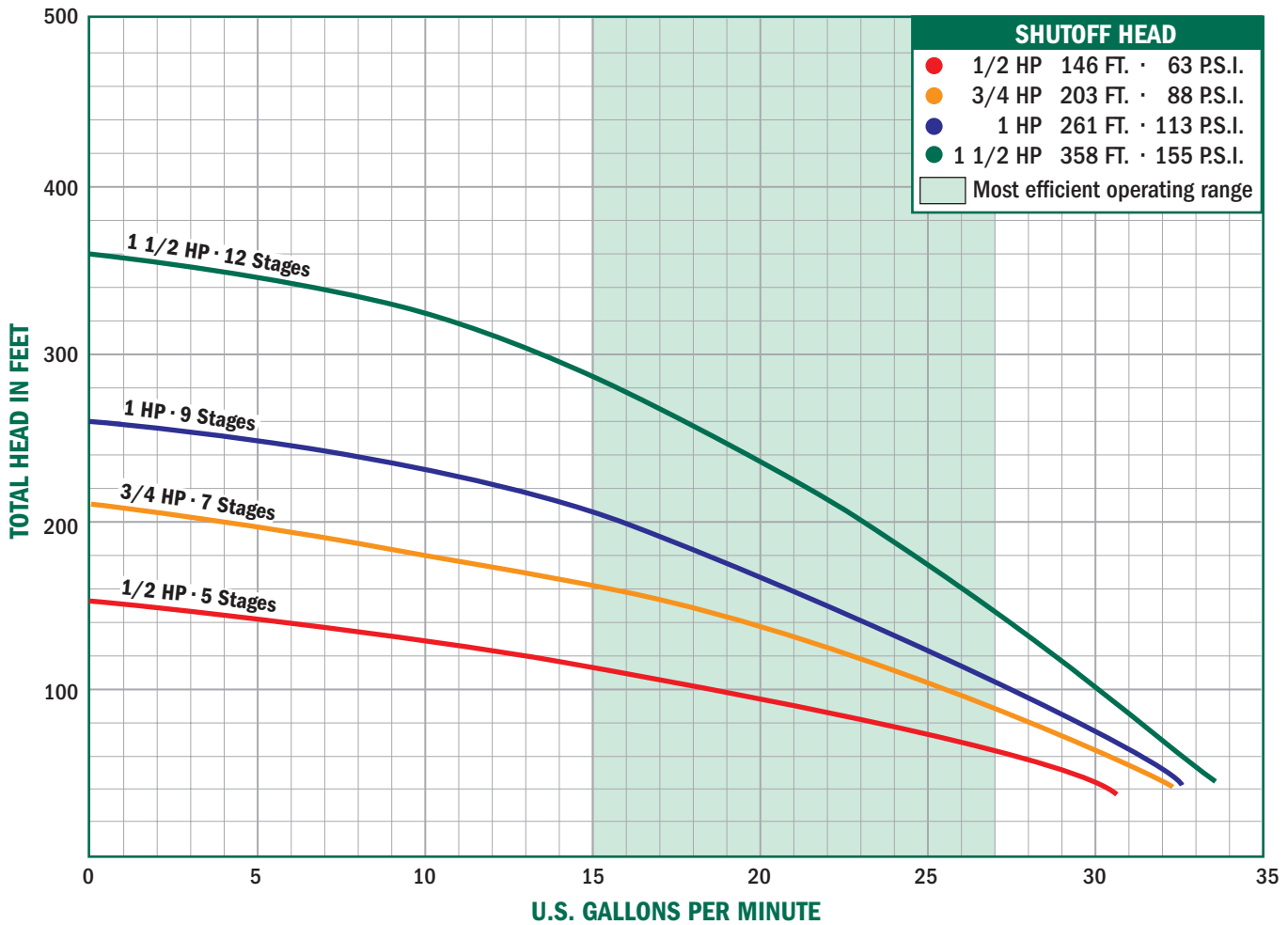
SUBMITTAL DATA SHEET

22000 Series
 4" No-Lead Thermoplastic Submersible Pumps
P - 20 GPM



A.Y. McDonald offers a full line of thermoplastic submersible pumps built for years of trouble free operation, with high-efficiency impellers and diffusers. These submersibles offer peak capacity performance in 5, 7, 10, 15, 20, and 25 gallons per minute (GPM). Other features include thermoplastic discharge head with a built-in check valve, and stainless steel shaft and coupling.

All Thermoplastic pumps have 1 1/4" discharge with internal check valve and sizes range from 1/2 to 1 1/2 horsepower (HP). Two or three wire models up to 1 1/2 horsepower (HP).



NO-LEAD: The weighted average of the wetted surface of this no-lead product contacted by consumable water contains less than one quarter of one percent (0.25%) lead.



A.Y. McDonald Mfg. Co.
 P.O. Box 508
 Dubuque, IA 52004-0508

Toll Free: 1-800-292-2737
Fax: 1-800-832-9296
Hours: 7:00 a.m. - 5:00 p.m., CST

sales@aymcdonald.com
www.aymcdonald.com

A.Y. McDonald considers the information on this assembly drawing correct when published. Item and option availability, including specifications, are subject to change without notice.

Submitted by:

SUBMITTAL DATA SHEET

22000 Series 4" No-Lead Thermoplastic Submersible Pumps P - 20 GPM



Two Wire Single Phase

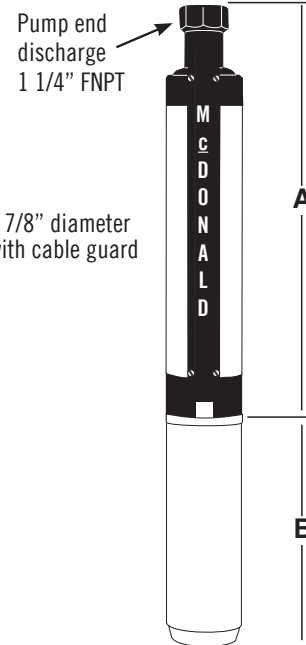
Model No.	HP	Stages	Volt	A	B	Wt.
22050P2A	1/2	5	115	12.48"	9.53"	23
22050P2	1/2	5	230	12.48"	9.53"	23
22075P2	3/4	7	230	14.63"	10.66"	27
22100P2	1	9	230	16.78"	11.75"	31
22150P2	1 1/2	12	230	20.00"	15.12"	41

Three Wire Single Phase

Model No.	HP	Stages	Volt	A	B	Wt.
22050P3A	1/2	5	115	12.02"	9.53"	23
22050P3	1/2	5	230	12.02"	9.53"	23
22075P3	3/4	7	230	14.17"	10.66"	26
22100P3	1	9	230	16.78"	11.75"	31
22150P3	1 1/2	12	230	20.00"	13.62"	37

4" Thermoplastic Pump Ends

Model No.	HP	Wt.
22050P	1/2	5
22075P	3/4	6
22100P	1	7
22150P	1 1/2	8



Output - in Gallons Per Minute (Depth to Water)

1/2 HP	PSI	25'	50'	75'	100'	125'
	0	32.34	28.61	24.35	19.26	12.48
30	20.53	14.28	2.68			
40	14.83	4.36				
50	5.68					

3/4 HP	PSI	25'	50'	75'	100'	125'	150'	175'	200'
	0	32.36	29.82	27.06	24.01	20.58	16.54	11.39	2.53
30	24.74	21.40	17.53	12.71	5.44				
40	21.67	17.85	13.13	6.20					
50	18.16	13.54	6.91						
60	13.93	7.56							

FRICITION LOSSES IN RISER PIPE
HAVE NOT BEEN CALCULATED

1 HP	PSI	25'	50'	75'	100'	125'	150'	175'	200'	225'	250'
	0	33.30	31.39	29.36	27.19	24.84	22.26	19.37	16.02	11.88	5.72
30	27.70	25.39	22.87	20.06	16.84	12.92	7.49				
40	25.57	23.07	20.29	17.10	13.26	8.01					
50	23.27	20.51	17.36	13.58	8.50						
60	20.73	17.62	13.90	8.97							

1 1/2 HP	PSI	50'	100'	150'	200'	250'	300'	350'
	0	32.95	29.95	26.64	22.90	18.50	12.88	3.03
30	28.71	25.26	21.30	16.53	10.04			
40	27.17	23.50	19.23	13.86	5.38			
50	25.53	21.62	16.93	10.65				
60	23.80	19.58	14.33	6.32				

NO-LEAD: The weighted average of the wetted surface of this no-lead product contacted by consumable water contains less than one quarter of one percent (0.25%) lead.



A.Y. McDonald Mfg. Co.
P.O. Box 508
Dubuque, IA 52004-0508

Toll Free: 1-800-292-2737
Fax: 1-800-832-9296
Hours: 7:00 a.m. - 5:00 p.m., CST

sales@aymcdonald.com
www.aymcdonald.com

A.Y. McDonald considers the information on this assembly drawing correct when published. Item and option availability, including specifications, are subject to change without notice.

Submitted by: