

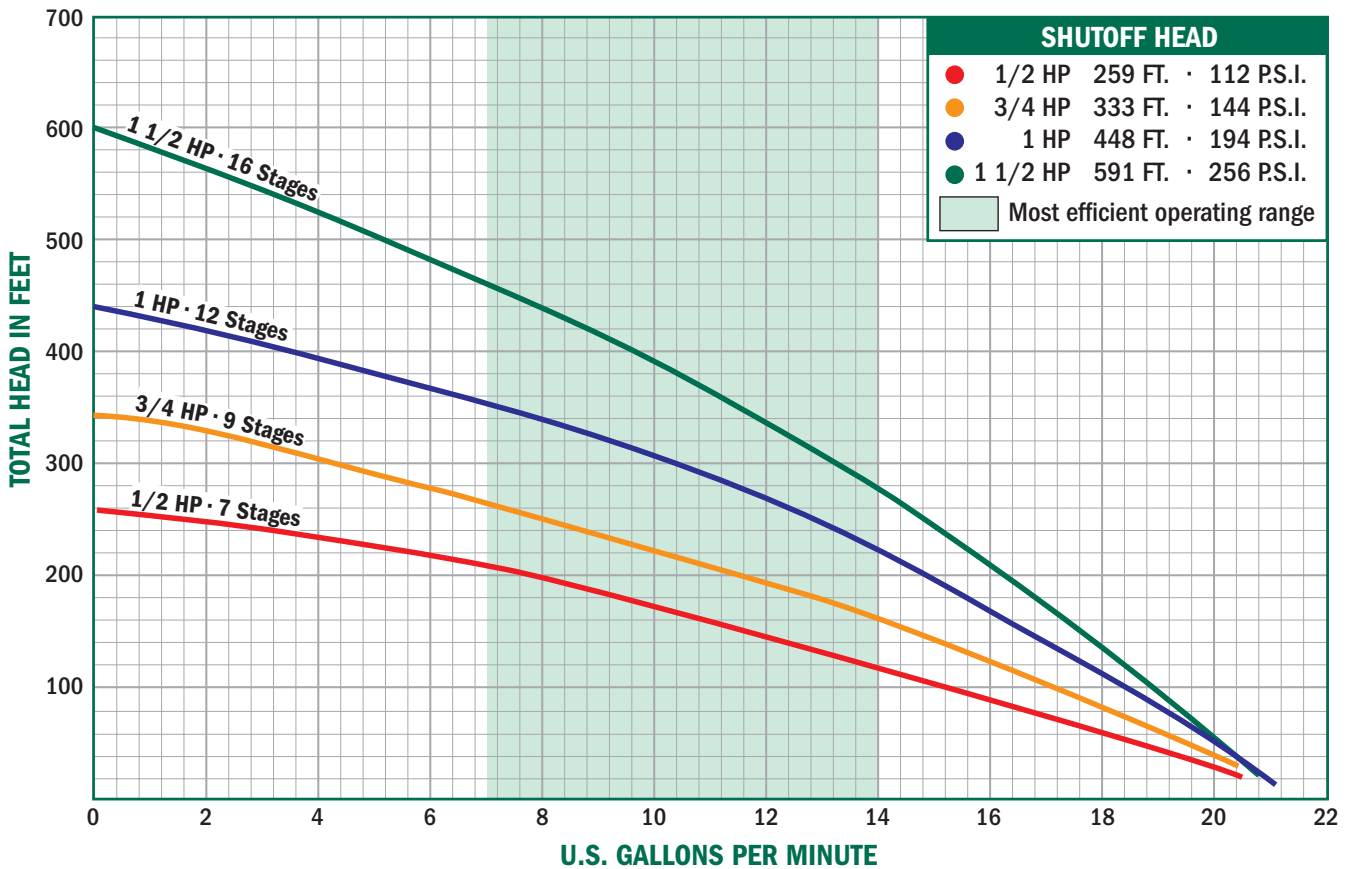
SUBMITTAL DATA SHEET

22000 Series
 4" No-Lead Thermoplastic Submersible Pumps
K - 10 GPM



A.Y. McDonald offers a full line of thermoplastic submersible pumps built for years of trouble free operation, with high-efficiency impellers and diffusers. These submersibles offer peak capacity performance in 5, 7, 10, 15, 20, and 25 gallons per minute (GPM). Other features include thermoplastic discharge head with a built-in check valve, and stainless steel shaft and coupling.

All Thermoplastic pumps have 1 1/4" discharge with internal check valve and sizes range from 1/2 to 1 1/2 horsepower (HP). Two or three wire models up to 1 1/2 horsepower (HP).



NO-LEAD: The weighted average of the wetted surface of this no-lead product contacted by consumable water contains less than one quarter of one percent (0.25%) lead.



A.Y. McDonald Mfg. Co.
 P.O. Box 508
 Dubuque, IA 52004-0508

Toll Free: 1-800-292-2737
Fax: 1-800-832-9296
Hours: 7:00 a.m. - 5:00 p.m., CST

sales@aymcdonald.com
 www.aymcdonald.com

A.Y. McDonald considers the information on this assembly drawing correct when published. Item and option availability, including specifications, are subject to change without notice.

Submitted by:

SUBMITTAL DATA SHEET

22000 Series 4" No-Lead Thermoplastic Submersible Pumps K - 10 GPM



Two Wire Single Phase

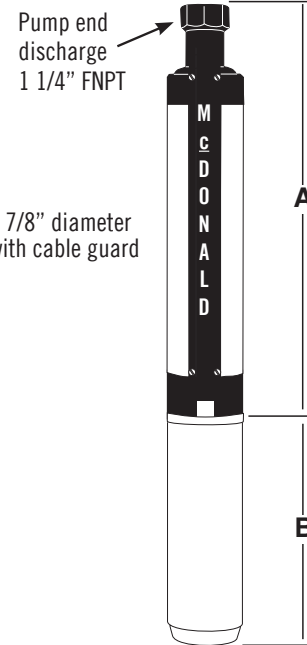
Model No.	HP	Stages	Volt	A	B	Wt.
22050K2A	1/2	7	115	12.3"	9.53"	23
22050K2	1/2	7	230	12.3"	9.53"	23
22075K2	3/4	9	230	13.7"	10.66"	27
22100K2	1	12	230	16.0"	11.75"	30
22150K2	1 1/2	16	230	19.7"	15.12"	41

Three Wire Single Phase

Model No.	HP	Stages	Volt	A	B	Wt.
22050K3A	1/2	7	115	12.3"	9.53"	27
22050K3	1/2	7	230	12.3"	9.53"	27
22075K3	3/4	9	230	13.7"	10.66"	29
22100K3	1	12	230	16.0"	11.75"	34
22150K3	1 1/2	16	230	19.7"	13.62"	42

4" Thermoplastic Pump Ends

Model No.	HP	Wt.
22050K	1/2	6
22075K	3/4	6
22100K	1	7
22150K	1 1/2	10



Output - in Gallons Per Minute (Depth to Water)

1/2 HP	PSI	25'	50'	75'	100'	125'	150'	175'	200'	225'	250'
	0	19.90	18.49	16.99	15.40	13.69	11.84	9.79	7.49	4.78	1.32
30	15.77	14.09	12.27	10.28	8.04	5.44	2.21				
40	14.22	12.42	10.44	8.22	5.66	2.49					
50	12.56	10.60	8.40	5.87	2.76						
60	10.75	8.58	6.08	3.03							

3/4 HP	PSI	25'	50'	75'	100'	125'	150'	175'	200'	225'	250'	275'	300'	325'
	0	20.36	19.26	18.12	16.93	15.67	14.35	12.95	11.45	9.83	8.05	6.06	3.75	0.89
30	17.20	15.97	14.66	13.28	11.80	10.21	8.47	6.54	4.31	1.61				
40	16.06	14.76	13.39	11.92	10.34	8.61	6.69	4.49	1.84					
50	14.86	13.49	12.03	10.46	8.75	6.85	4.67	2.07						
60	13.60	12.15	10.59	8.89	7.00	4.85	2.29							

1 HP	PSI	25'	50'	75'	100'	125'	150'	175'	200'	225'	250'	275'	300'	325'	350'	375'	400'	425'
	0	20.86	20.05	19.22	18.36	17.47	16.55	15.60	14.61	13.57	12.48	11.33	10.10	8.79	7.37	5.81	4.06	2.00
30	18.56	17.68	16.77	15.82	14.84	13.81	12.73	11.59	10.39	9.10	7.71	6.18	4.48	2.51	0.09			
40	17.75	16.84	15.89	14.91	13.89	12.81	11.68	10.48	9.20	7.82	6.30	4.61	2.67	0.29				
50	16.91	15.97	14.99	13.97	12.90	11.77	10.58	9.30	7.93	6.42	4.75	2.83	0.50					
60	16.04	15.06	14.05	12.98	11.86	10.67	9.40	8.04	6.54	4.89	2.99	0.70						

1 1/2 HP	PSI	50'	100'	150'	200'	250'	300'	350'	400'	450'	500'	550'
	0	20.18	18.95	17.66	16.31	14.87	13.34	11.69	9.89	7.88	5.58	2.80
30	18.46	17.15	15.76	14.29	12.72	11.01	9.14	7.03	4.58	1.51		
40	17.86	16.52	15.09	13.58	11.95	10.17	8.20	5.95	3.27			
50	17.25	15.87	14.41	12.84	11.15	9.29	7.20	4.78	1.78			
60	16.62	15.21	13.70	12.08	10.31	8.36	6.14	3.49	0.02			

FRICITION LOSSES IN RISER PIPE
HAVE NOT BEEN CALCULATED

NO-LEAD: The weighted average of the wetted surface of this no-lead product contacted by consumable water contains less than one quarter of one percent (0.25%) lead.



A.Y. McDonald Mfg. Co.
P.O. Box 508
Dubuque, IA 52004-0508

Toll Free: 1-800-292-2737
Fax: 1-800-832-9296
Hours: 7:00 a.m. - 5:00 p.m., CST

sales@aymcdonald.com
www.aymcdonald.com

A.Y. McDonald considers the information on this assembly drawing correct when published. Item and option availability, including specifications, are subject to change without notice.

Submitted by: