

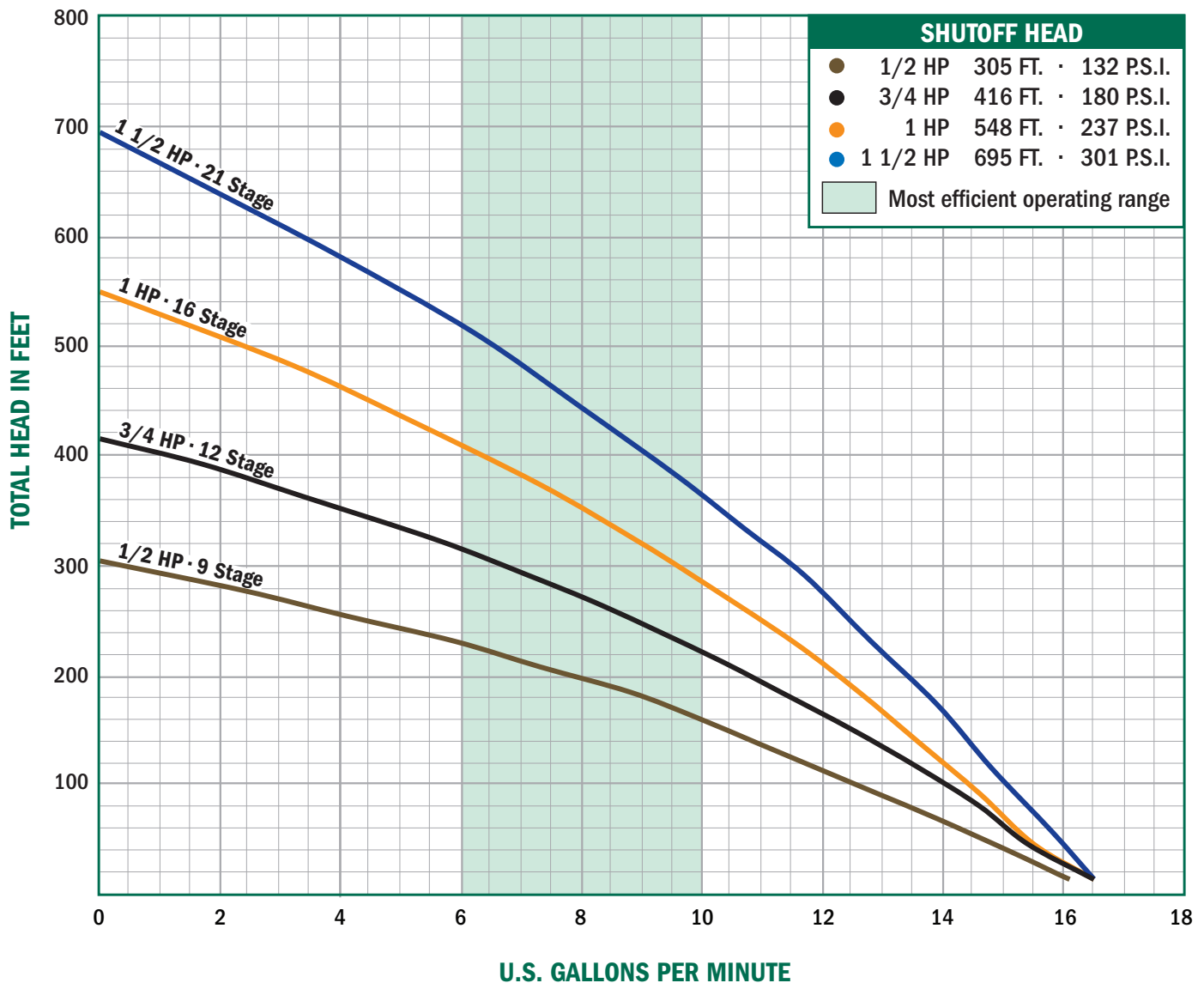
# SUBMITTAL DATA SHEET

22000 Series  
 4" No-Lead Thermoplastic Submersible Pumps  
**V - 7 GPM**



A.Y. McDonald offers a full line of thermoplastic submersible pumps built for years of trouble free operation, with high-efficiency impellers and diffusers. These submersibles offer peak capacity performance in 5, 7, 10, 15, 20, and 25 gallons per minute (GPM). Other features include thermoplastic discharge head with a built-in check valve, and stainless steel shaft and coupling.

All Thermoplastic pumps have 1 1/4" discharge with internal check valve and sizes range from 1/2 to 1 1/2 horsepower (HP). Two or three wire models up to 1 1/2 horsepower (HP).



NO-LEAD: The weighted average of the wetted surface of this no-lead product contacted by consumable water contains less than one quarter of one percent (0.25%) lead.



**A.Y. McDonald Mfg. Co.**  
 P.O. Box 508  
 Dubuque, IA 52004-0508

**Toll Free: 1-800-292-2737**  
**Fax: 1-800-832-9296**  
**Hours: 7:00 a.m. - 5:00 p.m., CST**

[sales@aymcdonald.com](mailto:sales@aymcdonald.com)  
[www.aymcdonald.com](http://www.aymcdonald.com)

A.Y. McDonald considers the information on this assembly drawing correct when published. Item and option availability, including specifications, are subject to change without notice.

**Submitted by:**

# SUBMITTAL DATA SHEET

## 22000 Series 4" No-Lead Thermoplastic Submersible Pumps V - 7 GPM



### Two Wire Single Phase

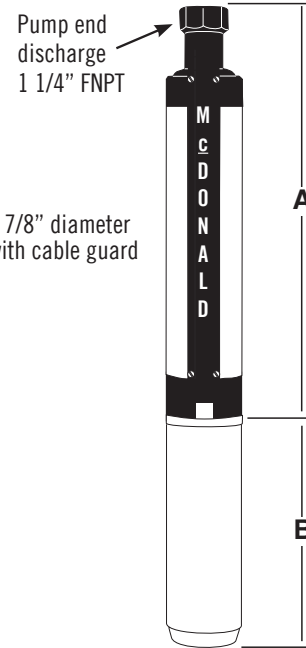
Model No.	HP	Stages	Voigt	A	B	Wt.
22050V2A	1/2	9	115	14.23"	9.53"	23
22050V2	1/2	9	230	14.23"	9.53"	22
22075V2	3/4	12	230	16.67"	10.66"	26
22100V2	1	16	230	19.86"	11.75"	29
22150V2	1 1/2	21	230	24.33"	15.12"	40

### Three Wire Single Phase

Model No.	HP	Stages	Voigt	A	B	Wt.
22050V3A	1/2	9	115	14.23"	9.53"	23
22050V3	1/2	9	230	14.23"	9.53"	23
22075V3	3/4	12	230	16.67"	10.66"	26
22100V3	1	16	230	19.86"	11.75"	30
22150V3	1 1/2	21	230	24.33"	13.62"	38

### 4" Thermoplastic Pump Ends

Model No.	HP	Wt.
22050V	1/2	6
22075V	3/4	9
22100V	1	9
22150V	1 1/2	13



### Output - in Gallons Per Minute (Depth to Water)

<b>1/2 HP</b>	PSI	25'	50'	75'	100'	125'	150'	175'	200'	225'	250'	275'								
	0	15.6	14.6	13.6	12.6	11.5	10.4	9.2	7.8	6.3	4.5	2.5								
	30	12.8	11.8	10.7	9.5	8.2	6.7	5.0	3.0											
	40	11.9	10.8	9.6	8.3	6.8	5.1	3.1												
	50	10.9	9.7	8.4	6.9	5.2	3.3													
	60	9.8	8.5	7.0	5.4	3.4	1.3													
<b>3/4 HP</b>	PSI	25'	50'	75'	100'	125'	150'	175'	200'	225'	250'	275'	300'	325'	350'	375'				
	0	16.1	15.5	14.8	14.0	13.3	12.5	11.6	10.8	9.9	8.9	7.8	6.7	5.5	4.2	2.8				
	30	14.2	13.4	12.7	11.8	11.0	10.1	9.1	8.1	7.0	5.8	4.5	3.1	1.5						
	40	13.5	12.7	11.9	11.0	10.1	9.2	8.2	7.1	5.9	4.6	3.2	1.7							
	50	12.8	12.0	11.1	10.2	9.3	8.2	7.2	6.0	4.7	3.3	1.8								
	60	12.0	11.2	10.3	9.3	8.3	7.2	6.1	4.8	3.4	1.9									
<b>1 HP</b>	PSI	25'	50'	75'	100'	125'	150'	175'	200'	225'	250'	275'	300'	325'	350'	375'	400'	425'	450'	475'
	0	16.1	15.5	15.0	14.4	13.9	13.3	12.8	12.2	11.6	11.0	10.3	9.6	8.9	8.1	7.2	6.3	5.4	4.5	3.5
	30	14.5	14.0	13.5	12.9	12.3	11.8	11.1	10.5	9.8	9.1	8.3	7.4	6.6	5.6	4.7	3.7	2.7		
	40	14.0	13.5	12.9	12.4	11.8	11.2	10.5	9.9	9.1	8.3	7.5	6.6	5.7	4.7	3.8	2.8			
	50	13.5	13.0	12.4	11.8	11.2	10.6	9.9	9.2	8.4	7.6	6.7	5.8	4.8	3.8	2.8				
	60	13.0	12.5	11.9	11.3	10.6	10.0	9.2	8.5	7.6	6.8	5.8	4.9	3.9	2.9	1.9				
<b>1 1/2 HP</b>	PSI	50'	100'	150'	200'	250'	300'	350'	400'	450'	500'	550'	600'	650'						
	0	15.9	15.1	14.3	13.4	12.4	11.4	10.4	9.2	7.9	6.5	5.0	3.4	1.6						
	30	14.8	13.9	13.0	12.1	11.0	9.9	8.7	7.4	5.9	4.4	2.7								
	40	14.4	13.5	12.6	11.6	10.5	9.4	8.1	6.7	5.2	3.6	1.9								
	50	14.0	13.1	12.1	11.1	10.0	8.8	7.5	6.0	4.5	2.8									
	60	13.6	12.7	11.7	10.6	9.5	8.2	6.8	5.3	3.7	2.0									

FRICITION LOSSES IN RISER PIPE  
HAVE NOT BEEN CALCULATED

NO-LEAD: The weighted average of the wetted surface of this no-lead product contacted by consumable water contains less than one quarter of one percent (0.25%) lead.



A.Y. McDonald Mfg. Co.  
P.O. Box 508  
Dubuque, IA 52004-0508

Toll Free: 1-800-292-2737  
Fax: 1-800-832-9296  
Hours: 7:00 a.m. - 5:00 p.m., CST

sales@aymcdonald.com  
www.aymcdonald.com

A.Y. McDonald considers the information on this assembly drawing correct when published. Item and option availability, including specifications, are subject to change without notice.

Submitted by: