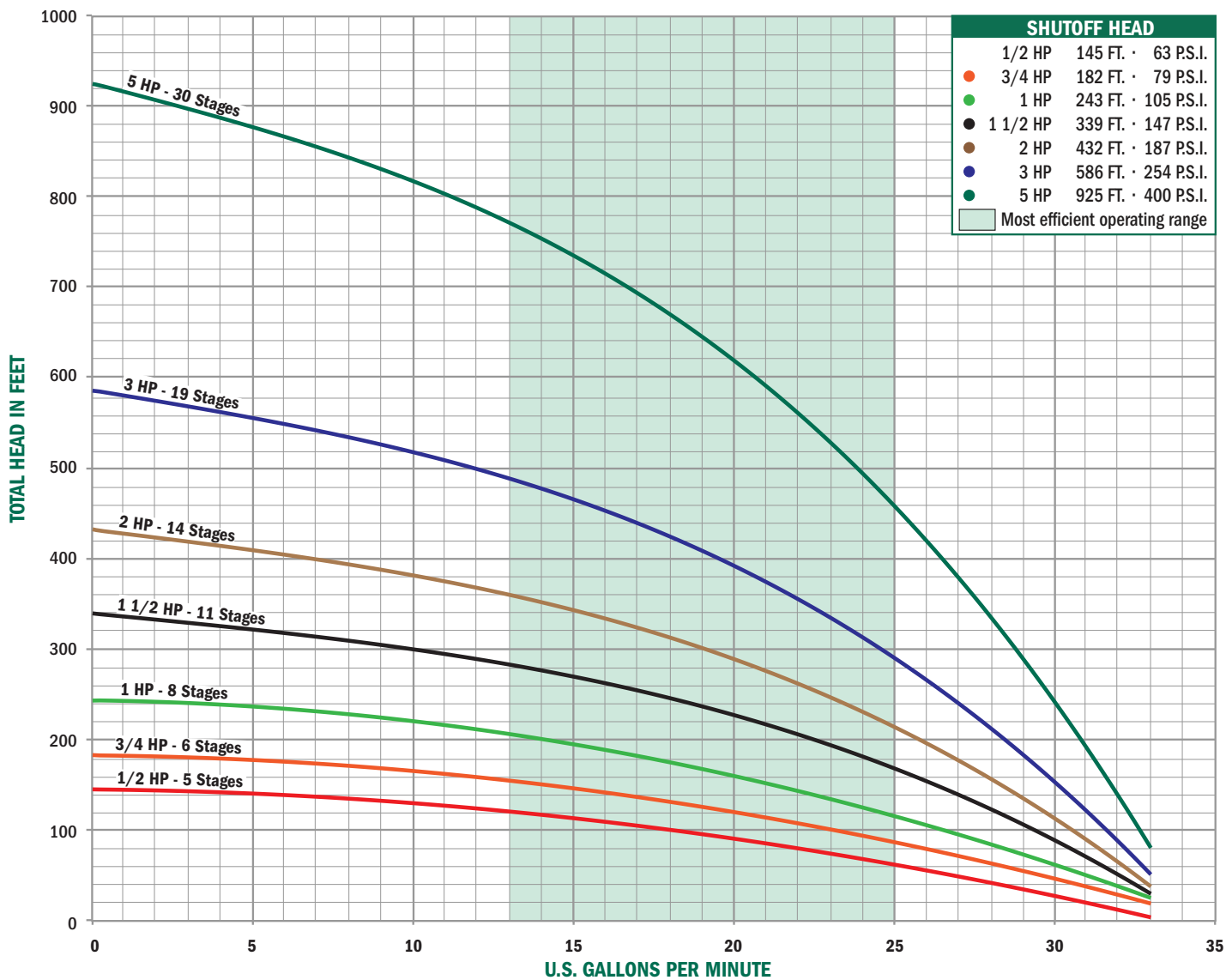


SUBMITTAL DATA SHEET

24000 Series
 4" No-Lead Stainless Steel Submersible Pumps
P - 20 GPM



All Stainless Steel Submersible Pumps are designed to pump within the 15 gallons per minute (GPM) range. Sizes are available from 1/2 to 5 HP. All models are standard with 1 1/4" NPT discharge.



NO-LEAD: The weighted average of the wetted surface of this no-lead product contacted by consumable water contains less than one quarter of one percent (0.25%) lead.



A.Y. McDonald Mfg. Co.
 P.O. Box 508
 Dubuque, IA 52004-0508

Toll Free: 1-800-292-2737
Fax: 1-800-832-9296
Hours: 7:00 a.m. - 5:00 p.m., CST

sales@aymcdonald.com
 www.aymcdonald.com

A.Y. McDonald considers the information on this assembly drawing correct when published. Item and option availability, including specifications, are subject to change without notice.

Submitted by:

SUBMITTAL DATA SHEET

24000 Series 4" No-Lead Stainless Steel Submersible Pumps P - 20 GPM



Two Wire Single Phase

Model No.	HP	Stages	Volt	A	B	WT.
24050P2A	1/2	5	115	10.1	9.5	24.0
24050P2	1/2	5	230	10.1	9.5	24.0
24075P2	3/4	6	230	11.0	10.6	27.2
24100P2	1	8	230	12.7	11.7	30.9
24150P2	1 1/2	11	230	15.2	15.1	39.0

Three Wire Three Phase

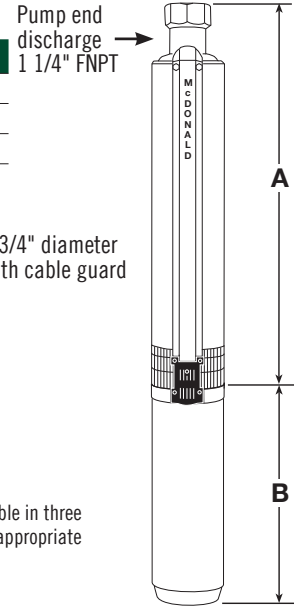
Model No.	HP	Stages	Volt	A	B	WT.
24150P3Z	1 1/2	11	230	15.2	11.7	32.0
24200P3Z	2	14	230	17.8	13.6	37.1
24300P3Z	3	19	230	22.0	16.0	45.8
24500P3Z	5	30	230	32.6	23.2	72.0

Three Wire** Single Phase

Model No.	HP	Stages	Volt	A	B	WT.
24050P3A	1/2	5	115	10.1	9.5	25.0
24050P3	1/2	5	230	10.1	9.5	25.0
24075P3	3/4	6	230	11.0	10.6	27.2
24100P3	1	8	230	12.7	11.7	30.9
24150P3	1 1/2	11	230	15.2	13.6	36.0
24200P3	2	14	230	17.8	15.1	42.1
24300P3	3	19	230	22.0	19.0	51.8
24500P3	5	30	230	32.6	29.2	87.0

4" Stainless Steel Pump Ends

Model No.	HP	WT.
24050P	1/2	6
24075P	3/4	7
24100P	1	8
24150P	1 1/2	9
24200P	2	10
24300P	3	12
24500P	5	17



** All three wire pumps are available in three phase by selecting pump end and appropriate motor and starter kit.

Output - in Gallons Per Minute (Depth to Water)

HP	PSI	25'	50'	75'	100'	125'																
	0	30.3	26.8	22.8	18.0	11.6																
3/4	30	19.2	13.3								PSI	25'	50'	75'	100'	125'	150'	175'				
	50	4.8								0	32.3	29.6	26.5	23.1	19.1	14.1	6.2					
50	30	16.2	9.9								30	23.9	20.1	15.4	8.6							
	60	10.5								50	16.2	9.9										
1	PSI	25'	50'	75'	100'	125'	150'	175'	200'	225'												
	0	33.0	31.0	28.8	26.5	24.0	21.2	18.0	14.1	8.8												
30	27.1	24.6	21.9	18.7	15.1	10.2																
	50	22.3	19.2	15.7	11.1																	
60	19.5	16.0	11.5																			
	PSI	25'	50'	75'	100'	125'	150'	175'	200'	225'	250'	275'	300'	325'	350'	375'	400'					
0	33.5	32.5	31.6	30.5	29.5	28.3	27.1	25.8	24.3	22.8	21.1	19.1	16.9	14.2	10.9	6.8						
	30	30.8	29.7	28.6	27.4	26.1	24.7	23.2	21.5	19.6	17.4	14.8	11.8	7.8								
50	28.8	27.6	26.3	24.9	23.4	21.7	19.9	17.7	15.3	12.3	8.5											
	60	27.7	26.4	25.0	23.5	21.9	20.0	17.9	15.5	12.5	8.8											
3	PSI	50'	100'	150'	200'	250'	300'	350'	400'	450'	500'	550'										
	0	33.0	31.6	30.1	28.4	26.6	24.6	22.3	19.5	16.2	11.9	5.8										
30	31.0	29.5	27.8	25.9	23.7	21.3	18.3	14.7	9.8	2.8												
	50	29.6	27.9	26.0	23.9	21.5	18.6	15.0	10.2	3.4												
60	28.8	27.1	25.1	22.8	20.2	17.0	13.0	7.4														
	PSI	50'	100'	150'	200'	250'	300'	350'	400'	450'	500'	550'	600'	650'	700'	750'	800'	850'	900'			
0	33.5	32.7	31.8	30.8	29.8	28.8	27.7	26.5	25.2	23.8	22.3	20.7	18.8	16.7	14.2	11.2	7.4	2.7				
	30	32.3	31.4	30.4	29.4	28.4	27.2	26.0	24.7	23.3	21.7	20.0	18.0	15.8	13.1	9.8	5.7					
50	31.5	30.5	29.5	28.4	27.3	26.1	24.8	23.4	21.8	20.1	18.2	16.0	13.3	10.1	6.0							
	60	31.0	30.1	29.0	27.9	26.8	25.5	24.2	22.7	21.1	19.3	17.2	14.8	11.9	8.4	3.8						

FRICITION LOSSES IN RISER PIPE
HAVE NOT BEEN CALCULATED

NO-LEAD: The weighted average of the wetted surface of this no-lead product contacted by consumable water contains less than one quarter of one percent (0.25%) lead.



A.Y. McDonald Mfg. Co.
P.O. Box 508
Dubuque, IA 52004-0508

Toll Free: 1-800-292-2737
Fax: 1-800-832-9296
Hours: 7:00 a.m. - 5:00 p.m., CST

sales@aymcdonald.com
www.aymcdonald.com

A.Y. McDonald considers the information on this assembly drawing correct when published. Item and option availability, including specifications, are subject to change without notice.

Submitted by: