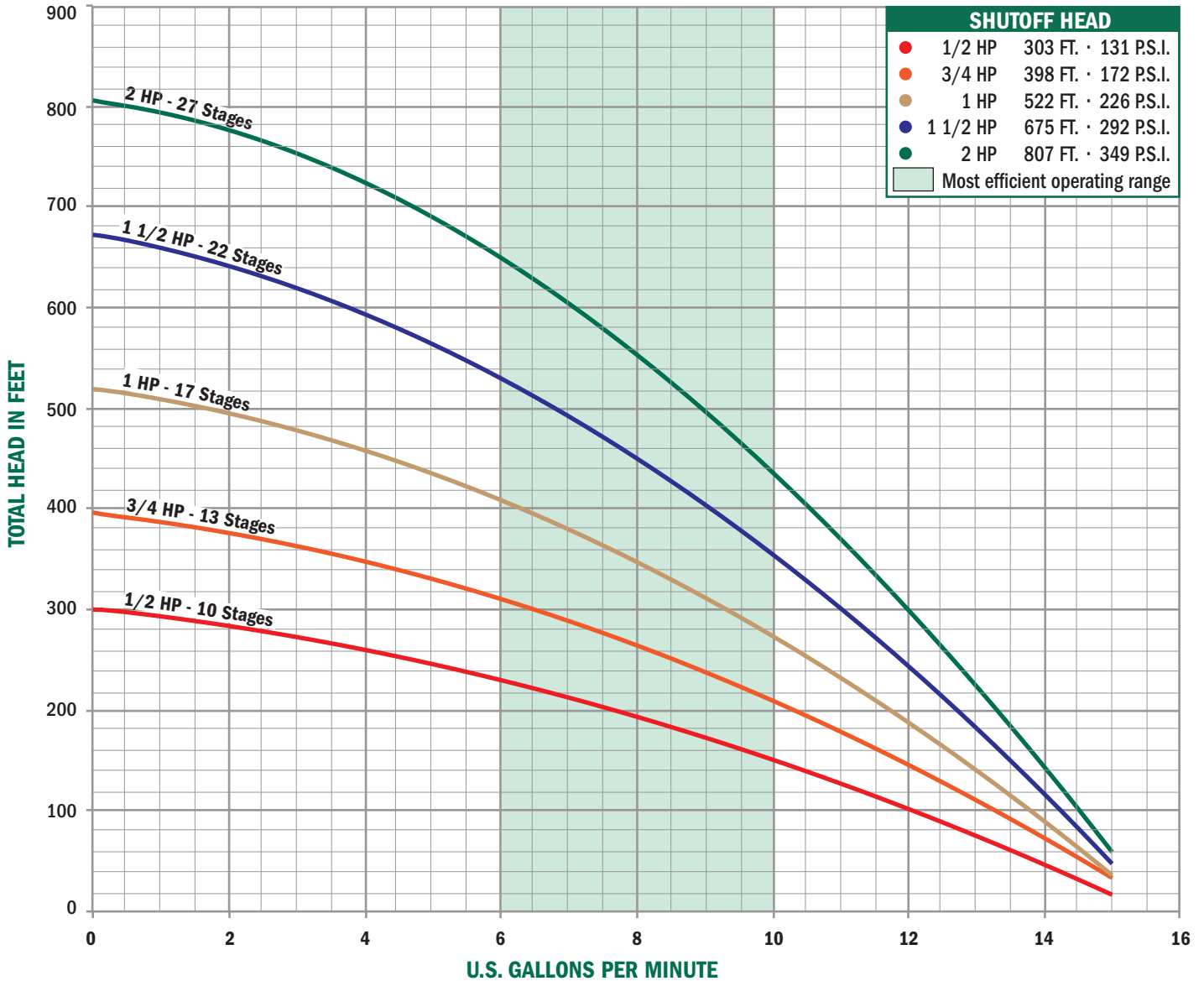


SUBMITTAL DATA SHEET

24000 Series
 4" No-Lead Stainless Steel Submersible Pumps
V - 7 GPM



All Stainless Steel Submersible Pumps are designed to pump within the 7 gallons per minute (GPM) range. Sizes are available from 1/2 to 2 HP. All models are standard with 1 1/4" NPT discharge.



NO-LEAD: The weighted average of the wetted surface of this no-lead product contacted by consumable water contains less than one quarter of one percent (0.25%) lead.



A.Y. McDonald Mfg. Co.
 P.O. Box 508
 Dubuque, IA 52004-0508

Toll Free: 1-800-292-2737
Fax: 1-800-832-9296
Hours: 7:00 a.m. - 5:00 p.m., CST

sales@aymcdonald.com
www.aymcdonald.com

A.Y. McDonald considers the information on this assembly drawing correct when published. Item and option availability, including specifications, are subject to change without notice.

Submitted by:

SUBMITTAL DATA SHEET

24000 Series 4" No-Lead Stainless Steel Submersible Pumps V - 7 GPM



Two Wire Single Phase

Model No.	HP	Stages	Volt	A	B	WT.
24050V2A	1/2	10	115	13.0	9.5	25.3
24050V2	1/2	10	230	13.0	9.5	25.3
24075V2	3/4	13	230	15.2	10.6	29.4
24100V2	1	17	230	17.9	11.7	33.9
24150V2	1 1/2	22	230	21.4	15.1	42.9

Three Wire** Single Phase

Model No.	HP	Stages	Volt	A	B	WT.
24050V3A	1/2	10	115	13.0	9.5	26.3
24050V3	1/2	10	230	13.0	9.5	26.3
24075V3	3/4	13	230	15.2	10.6	29.4
24100V3	1	17	230	17.9	11.7	33.9
24150V3	1 1/2	22	230	21.5	13.6	39.9
24200V3	2	27	230	26.6	15.1	47.5

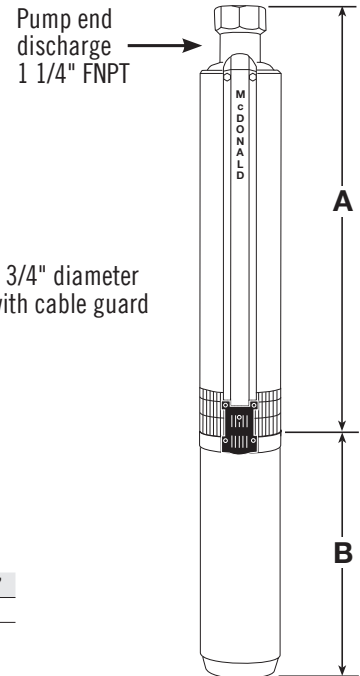
Three Wire Three Phase

Model No.	HP	Stages	Volt	A	B	WT.
24150V3Z	1 1/2	22	230	21.5	11.7	35.9
24200V3Z	2	27	230	26.6	13.6	42.5

4" Stainless Steel Pump Ends

Model No.	HP	WT.
24050V	1/2	8
24075V	3/4	9
24100V	1	10
24150V	1 1/2	12
24200V	2	15

** All three wire pumps are available in three phase by selecting pump end and appropriate motor and starter kit.



3 3/4" diameter with cable guard

Output - in Gallons Per Minute (Depth to Water)

1/2 HP	PSI	25'	50'	75'	100'	125'	150'	175'	200'	225'	250'	275'
	0	14.8	14.0	13.1	12.2	11.2	10.1	9.0	7.8	6.4	4.9	3.0
30	12.4	11.4	10.4	9.3	8.1	6.7	5.2	3.5	1.1			
50	10.5	9.5	8.3	7.0	5.5	3.8	1.5					
60	9.5	8.4	7.1	5.6	3.9	1.7						

3/4 HP	PSI	25'	50'	75'	100'	125'	150'	175'	200'	225'	250'	275'	300'	325'	350'	375'
	0	15.3	14.6	14.0	13.4	12.7	11.9	11.2	10.4	9.5	8.6	7.7	6.6	5.4	4.0	2.3
30	13.5	12.8	12.1	11.4	10.6	9.7	8.9	7.9	6.8	5.7	4.3	2.7				
50	12.2	11.5	10.7	9.9	9.0	8.0	7.0	5.9	4.6	3.0						
60	11.5	10.8	9.9	9.1	8.1	7.1	6.0	4.7	3.1	1.0						

1 HP	PSI	25'	50'	75'	100'	125'	150'	175'	200'	225'	250'	275'	300'	325'	350'	375'	400'	425'	450'	475'	500'
	0	15.2	14.8	14.3	13.8	13.4	12.8	12.3	11.8	11.2	10.6	10.0	9.4	8.7	8.0	7.2	6.4	5.5	4.5	3.3	1.8
30	14.0	13.5	13.0	12.4	11.9	11.4	10.8	10.2	9.5	8.9	8.2	7.4	6.6	5.7	4.7	3.6	2.2				
50	13.0	12.5	12.0	11.4	10.9	10.3	9.6	9.0	8.3	7.5	6.7	5.8	4.9	3.7	2.4						
60	12.6	12.0	11.5	10.9	10.3	9.7	9.0	8.3	7.6	6.8	5.9	4.9	3.8	2.5							

1 1/2 HP	PSI	50'	100'	150'	200'	250'	300'	350'	400'	450'	500'	550'	600'	650'
	0	15.0	14.3	13.5	12.8	11.9	11.1	10.1	9.1	8.1	6.8	5.5	3.8	1.7
30	14.0	13.2	12.4	11.6	10.7	9.8	8.7	7.6	6.3	4.9	3.1			
50	13.3	12.5	11.7	10.8	9.8	8.8	7.7	6.4	5.0	3.2				
60	12.9	12.1	11.3	10.4	9.4	8.3	7.1	5.8	4.2	2.2				

2 HP	PSI	50'	100'	150'	200'	250'	300'	350'	400'	450'	500'	550'	600'	650'	700'	750'	800'
	0	15.1	14.6	14.0	13.3	12.7	12.0	11.3	10.6	9.8	9.0	8.1	7.1	6.0	4.8	3.2	0.7
30	14.3	13.7	13.1	12.4	11.8	11.0	10.3	9.5	8.7	7.7	6.7	5.6	4.2	2.4	0.8		
50	13.8	13.1	12.5	11.8	11.1	10.4	9.6	8.7	7.8	6.8	5.7	4.3	2.6				
60	13.5	12.8	12.2	11.5	10.8	10.0	9.2	8.3	7.4	6.3	5.1	3.6	1.5				

FRICITION LOSSES IN RISER PIPE
HAVE NOT BEEN CALCULATED

NO-LEAD: The weighted average of the wetted surface of this no-lead product contacted by consumable water contains less than one quarter of one percent (0.25%) lead.



A.Y. McDonald Mfg. Co.
P.O. Box 508
Dubuque, IA 52004-0508

Toll Free: 1-800-292-2737
Fax: 1-800-832-9296
Hours: 7:00 a.m. - 5:00 p.m., CST

sales@aymcdonald.com
www.aymcdonald.com

A.Y. McDonald considers the information on this assembly drawing correct when published. Item and option availability, including specifications, are subject to change without notice.

Submitted by: