

SUBMITTAL DATA SHEET

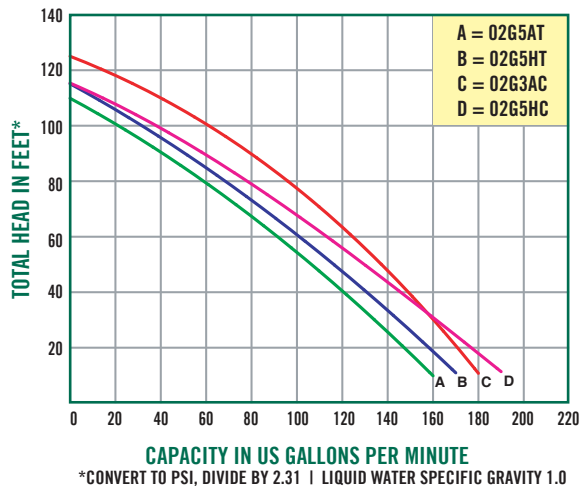
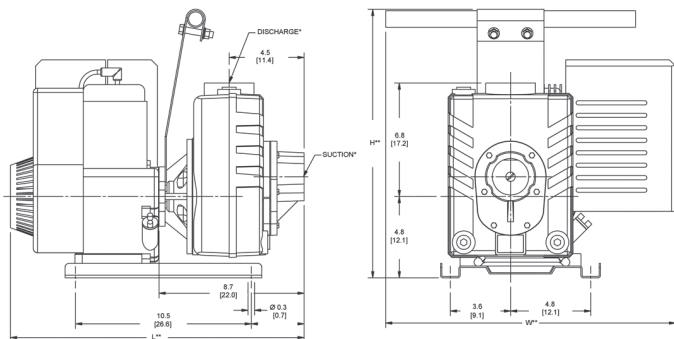
Dewatering Pumps Electric & DC Powered | Engine Driven Cast Iron | Thermoplastic



The A.Y. McDonald line of engine driven dewatering pumps offer economy, durability, portability and performance all in one neat package. Pump construction materials range from cast iron featuring dual volute design that reduces radial load on engine to corrosion resistant thermoplastic components featuring removable/replaceable volutes, impellers and wearplates. A.Y. McDonald Engine Driven Dewatering pumps are reliable, cost effective, and low maintenance.

Application:

Ideal for general purpose dewatering, irrigation, spraying, washdown, and agricultural applications. For use with non-flammable liquids which are compatible with pump component materials.



2" Dewater Pumps | Cast Iron

Model	Curve	HP Class*	Motor	Run-Time (Hours)	Tank Size (Gal/Lrt)	Ship Wt. (Lbs.)	L**	W**	H**
02G3AC	B	4	Briggs & Stratton	1.2	0.52/2.0	65	17.8	17.5	16.1
02G5HC	C	5	Honda	1.5	0.47/1.7	70	16.1	19.4	16.1

Features:

- Cast iron construction
- Solids Handling - 3/8" diameter
- Stainless steel shaft sleeve
- Maximum temperature 180°F
- Dual volute design
- Fiber Gasket Casing Seal
- Delivers a maximum of 180 GPM
- Optional Viton® or silicon carbide mechanical seals
- Maximum working pressure 75 PSI

SUBMITTAL INFORMATION

- Cast iron or thermoplastic construction
- Briggs & Stratton or Honda engines
- Buna-N mechanical seal
- 2" FNPT port sizes - suction & discharge
- Self-priming up to 20'
- Pumps include carrying handle
- Built-in check valve

NO-LEAD: The weighted average of the wetted surface of this no-lead product contacted by consumable water contains less than one quarter of one percent (0.25%) lead.



A.Y. McDonald Mfg. Co.
P.O. Box 508
Dubuque, IA 52004-0508

Toll Free: 1-800-292-2737
Fax: 1-800-832-9296
Hours: 7:00 a.m. - 5:00 p.m., CST

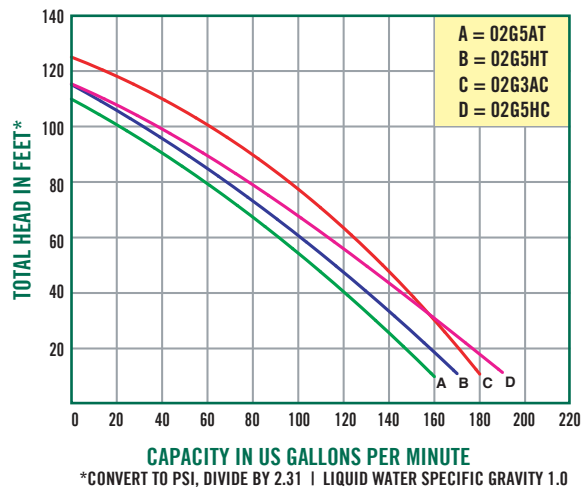
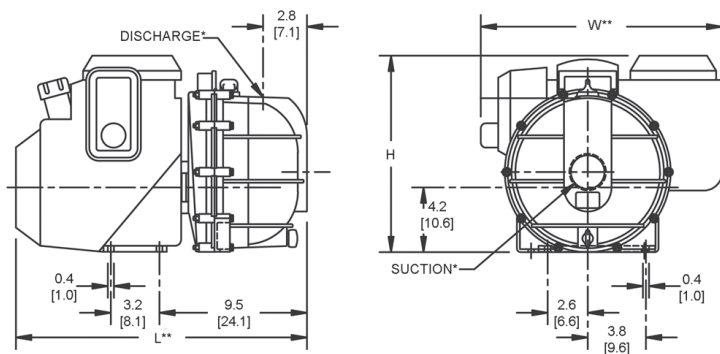
sales@aymcdonald.com
www.aymcdonald.com

A.Y. McDonald considers the information on this assembly drawing correct when published. Item and option availability, including specifications, are subject to change without notice.

Submitted by:

SUBMITTAL DATA SHEET

Dewatering Pumps
 Electric & DC Powered | Engine Driven
Cast Iron | Thermoplastic



2" Dewater Pumps | Thermoplastic

Model	Curve	HP Class*	Motor	Run-Time (Hours)	Tank Size (Gal/Lrt)	Ship Wt. (Lbs.)	L**	W**	H**
02G5AT	A	4	Briggs & Stratton	1.2	0.52/2.0	40	18.1	13.6	12.6
02G5HT	D	5	Honda	1.5	0.47/1.7	45	18.8	15.6	12.7

Features:

- Thermoplastic construction
- Polypropylene impeller
- Solids Handling - 7/16" diameter
- O-ring casing seal
- Replaceable volute
- Maximum temperature 130°F
- Delivers up to 48 PSI and maximum 190 GPM
- Optional EPDM mechanical seals available
- Maximum working pressure 60 PSI

(*) Standard NPT (female) pipe thread.
 (**) This dimension may vary due to motor manufacturer's specifications.
 Dimensions are in inches.
 † HP class represents market category and is not intended to define actual horsepower.
 NOTE: Dimensions have a tolerance of ± 1/8".

WARNING: Do not use in explosive atmosphere or for pumping volatile flammable liquids.

NO-LEAD: The weighted average of the wetted surface of this no-lead product contacted by consumable water contains less than one quarter of one percent (0.25%) lead.



A.Y. McDonald Mfg. Co.
 P.O. Box 508
 Dubuque, IA 52004-0508

Toll Free: 1-800-292-2737
Fax: 1-800-832-9296
Hours: 7:00 a.m. - 5:00 p.m., CST

sales@aymcdonald.com
 www.aymcdonald.com

A.Y. McDonald considers the information on this assembly drawing correct when published. Item and option availability, including specifications, are subject to change without notice.

Submitted by: