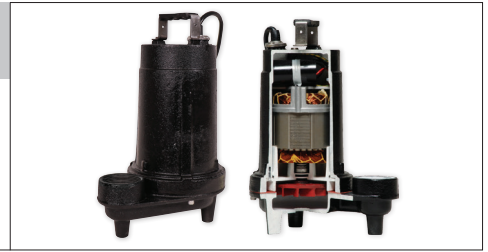


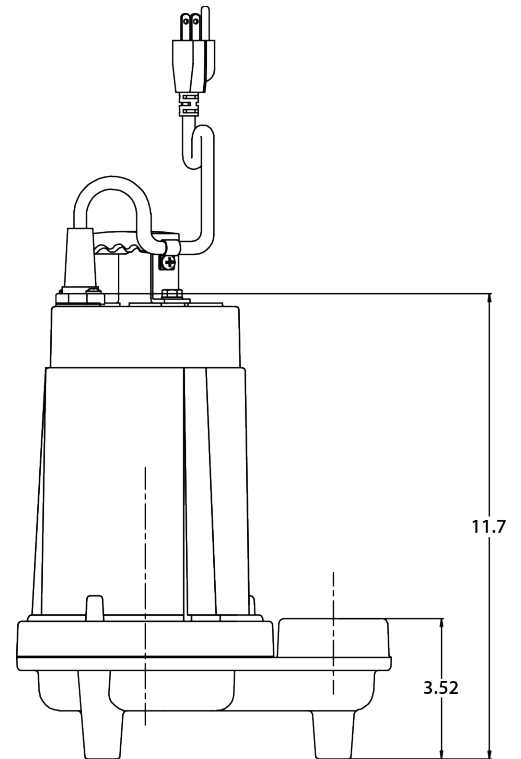
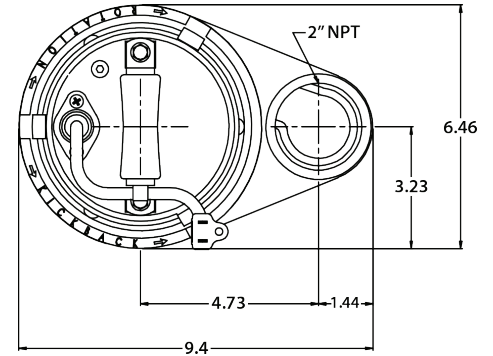
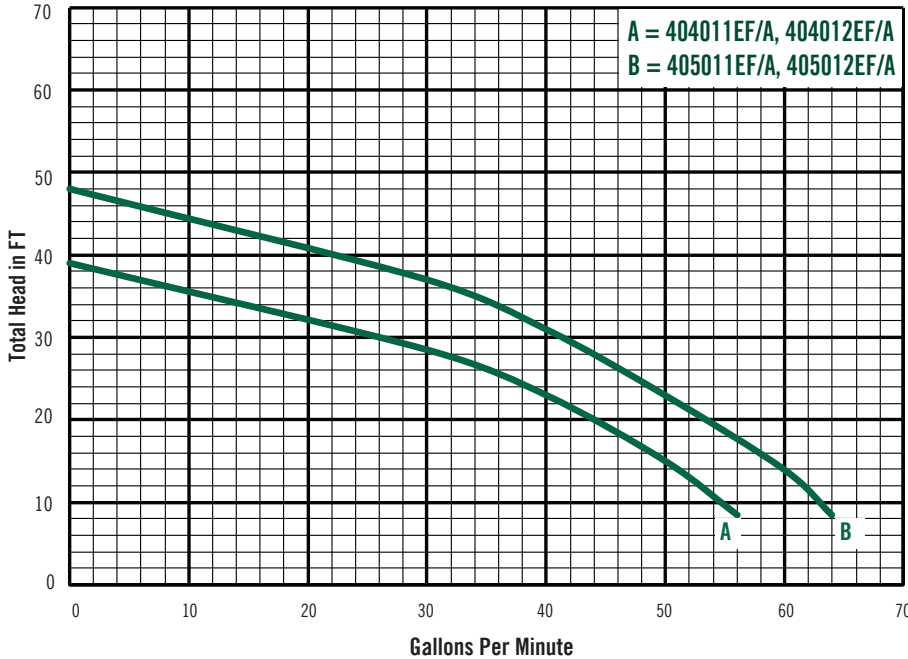
SUBMITTAL DATA SHEET

Wastewater Pumps 4/10 - 1/2 HP Effluent Submersible Pumps



A.Y. McDonald's 4/10 - 1/2 HP Effluent Submersible Pumps can handle up to 3/4" solids with 2" discharge. Designed for use in dewatering, septic systems, residential and commercial developments, and elevator pits.

Performance Curve



Model	HP	Volts	Phase	AMPS	Cord Length	Switch
404011EF	4/10	115	1	6.6	20'	Manual
404011EFA	4/10	115	1	6.6	20'	Wide-Angle Float
404012EF	4/10	230	1	3.3	20'	Manual
404012EFA	4/10	230	1	3.3	20'	Wide-Angle Float
405011EF	1/2	115	1	8.5	20'	Manual
405011EFA	1/2	115	1	8.5	20'	Wide-Angle Float
405012EF	1/2	230	1	4.3	20'	Manual
405012EFA	1/2	230	1	4.3	20'	Wide-Angle Float

NO-LEAD: The weighted average of the wetted surface of this no-lead product contacted by consumable water contains less than one quarter of one percent (0.25%) lead.



A.Y. McDonald Mfg. Co.
P.O. Box 508
Dubuque, IA 52004-0508

Toll Free: 1-800-292-2737
Fax: 1-800-832-9296
Hours: 7:00 a.m. - 5:00 p.m., CST

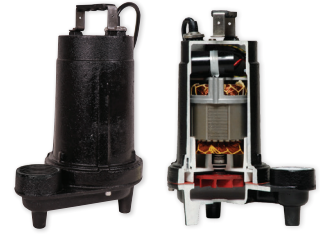
sales@aymcdonald.com
www.aymcdonald.com

A.Y. McDonald considers the information on this assembly drawing correct when published. Item and option availability, including specifications, are subject to change without notice.

Submitted by:

SUBMITTAL DATA SHEET

Wastewater Pumps 4/10 - 1/2 HP Effluent Submersible Pumps



Performance

- Heads up to 48' TDH
- Flows up to 65 GPM

Motor

High efficient, 115V or 230V, oil filled, permanent split capacitor motor with upper and lower ball bearings and thermal overload protection

- Constant bearing lubrication
- Maximum motor cooling
- Runs cooler and lasts longer
- Internal overload protection
- Quiet operation
- Fasteners and shaft made from rugged, corrosion resistant stainless steel

Warranty

- 3 Years from date of manufacture

Seal Design

Type 21 inboard seal design with secondary exclusion seal

- Rotating components of seal are in the motor housing, being lubricated by the motor oil preventing foreign matter from wrapping around the seal components
- Seal will last longer if the pump runs dry
- Secondary exclusion seal keeps debris from entering the seal cavity

Impeller Design

Non-clog style, cast-iron vortex impeller

- Designed to help reduce clogging by foreign material

Power Cord

Sealed entry quick disconnect power cords

- Prevents water from entering the motor housing through a cut cord
- Easy to replace in the field
- Available in lengths up to 100'

Switch

Piggy-back switch design

- Defective switches can be diagnosed over the phone
- Pump can be operated manually or supplied with other piggy-back switches
- Switch can be replaced without having to replace the pump

Technical Data

Discharge	2" NPT. vertical standard
Liquid Temperature	140°F (Intermittent)
Motor Housing	Cast Iron
Volute	Cast Iron
Seal Plate	Cast Iron
Impeller	Cast Iron / Vortex
Solids Handling	3/4"
Shaft	Stainless Steel
Shaft Seal (Single Seal)	Inboard mechanical with secondary exclusion V-Seal, carbon rotating face, ceramic stationary face, Buna-N elastomer, 300 series stainless steel hardware
Bearings (Upper & Lower)	Single row, ball, oil lubricated
Hardware	300 Series stainless steel
O-rings	Buna-N
Cord	20' Length standard. Up to 100' available.
Motor (Single Phase)	4/10 - 1/2 HP 3450 RPM, 60 Hz, NEMA L. Includes Overload Protection in the motor, oil filled, class B permanent split capacitor
Weight	37 lbs (Manual)

NO-LEAD: The weighted average of the wetted surface of this no-lead product contacted by consumable water contains less than one quarter of one percent (0.25%) lead.



A.Y. McDonald Mfg. Co.
P.O. Box 508
Dubuque, IA 52004-0508

Toll Free: 1-800-292-2737
Fax: 1-800-832-9296
Hours: 7:00 a.m. - 5:00 p.m., CST

sales@aymcdonald.com
www.aymcdonald.com

A.Y. McDonald considers the information on this assembly drawing correct when published. Item and option availability, including specifications, are subject to change without notice.

Submitted by: