

SUBMITTAL DATA SHEET

Sump, Sewage, & Effluent Pumps
DuraMAC™ | Guardian

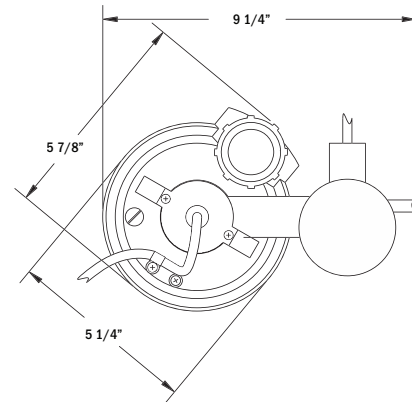
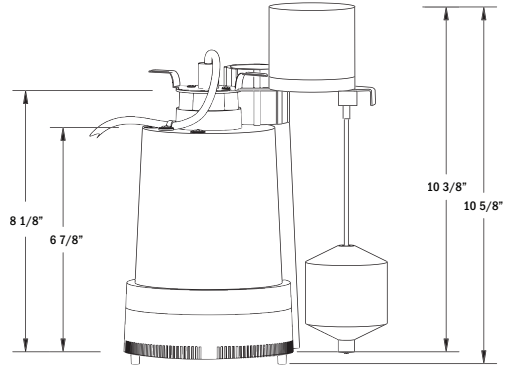
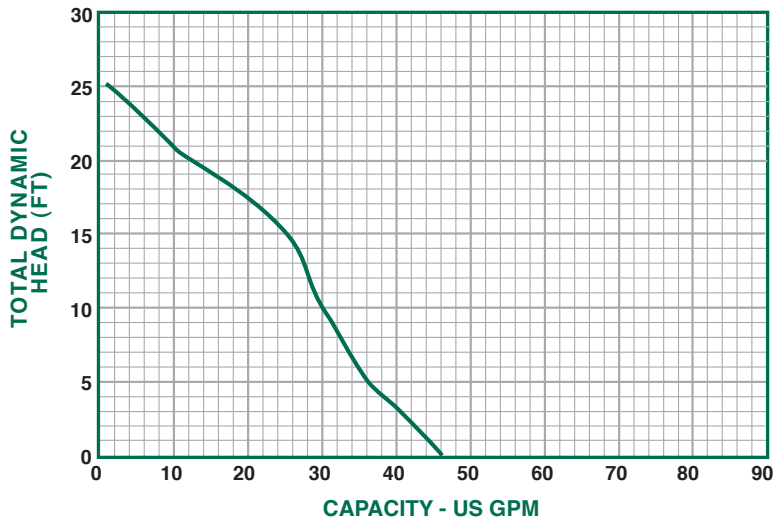
5033PVSP Sump Pump



See Pumps & Accessories
Price List for Limited
Warranty details.

With a tough thermoplastic construction, the 5033PVSP can handle up to 40 gallons per minute (GPM).

Performance Curve



Performance

Model	Gallons per Minute in Feet					
	0	5	10	15	20	25
5033PVSP	40	34	28	22	12	2

Specifications

Model No.	HP	Volts	Hz	Amps	Construction	Discharge Size	Cord Length	Solids Handling	RPM	Phase	Wt.
5033PVSP	1/3	120	60	4.1	Thermoplastic	1 1/4" or 1 1/2"	10'	1/8"	3450	1	10

SUBMITTAL INFORMATION

- Split Capacitor Motor - 1/3 HP continuous duty, thermal protected
- Lifts water up to 25' of vertical height
- 10' power cord, 25' cords are available for an additional charge
- Large 1 1/4" or 1 1/2" discharge for high capacity pumping
- Clog resistant impeller
- Vertical float switch
- Available without a switch



NO-LEAD: The weighted average of the wetted surface of this no-lead product contacted by consumable water contains less than one quarter of one percent (0.25%) lead.



A.Y. McDonald Mfg. Co.
P.O. Box 508
Dubuque, IA 52004-0508

Toll Free: 1-800-292-2737
Fax: 1-800-832-9296
Hours: 7:00 a.m. - 5:00 p.m., CST

sales@aymcdonald.com
www.aymcdonald.com

A.Y. McDonald considers the information on this assembly drawing correct when published. Item and option availability, including specifications, are subject to change without notice.

Submitted by: