

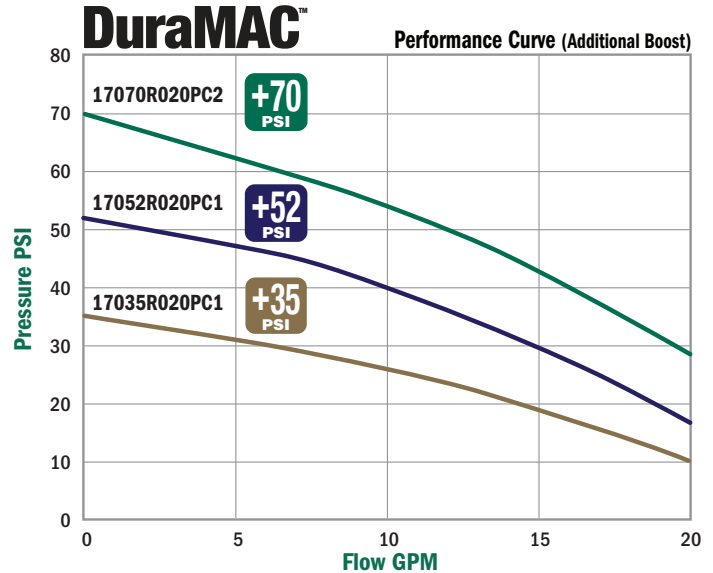
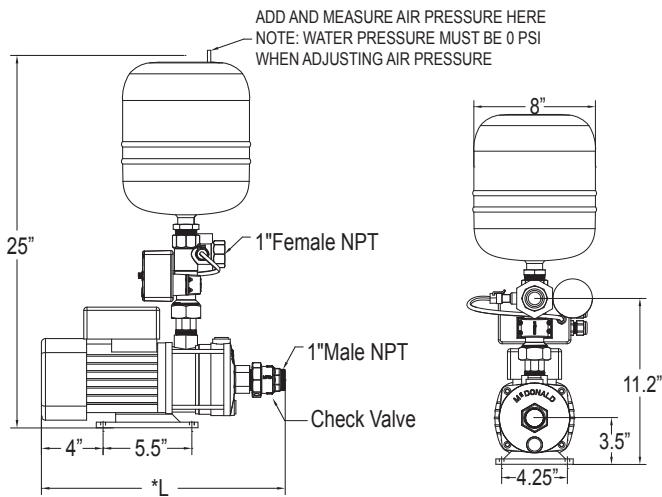
SUBMITTAL DATA SHEET

DuraMAC™ Booster Pumps Residential | Light Commercial | Irrigation **DuraMAC™ - Residential Booster**



See Pumps & Accessories Price List for Limited Warranty details.

Not all boosting applications require complicated boosting systems. The DuraMAC™ Boosting system is simple, versatile, sophisticated, and reliable. Quite simply, it is the world's most versatile boosting system for residential use.



20 Gallon / Minute (GPM) Max

DuraMAC™ Model	Pump Boost	Amps	Length "L"	Voltage	Power	*Pressure Reducing Valve Recommended for installation with incoming pressure greater than:	Wt.
17035R020PC1	35 PSI	5.5	15.26"	120 - 60 Hz	1/2 HP	45 PSI	33
17052R020PC1	52 PSI	7.0	15.97"	120 - 60 Hz	3/4 HP	28 PSI	37
17070R020PC2	70 PSI	4.0	16.68"	230 - 60 Hz	1 HP	10 PSI (for use with holding tank)	40

*Many plumbing codes do not recommend system pressure exceeding 80 PSI. Refer to local plumbing codes for maximum boosted pressure.

SUBMITTAL INFORMATION

- Water pressure boosting system for residential, irrigation or light commercial use
- Easy set-up installation
- Digital control for three modes of operation
- Durable stainless steel and no-lead brass connections
- Two gallon pressure tank included
- TEFC single phase motor for quiet operation
- Electronics separated and sealed from waterway
- Pressure gauge included
- No-Lead brass check valve included
- Dry-Run protection

NO-LEAD: The weighted average of the wetted surface of this no-lead product contacted by consumable water contains less than one quarter of one percent (0.25%) lead.



A.Y. McDonald Mfg. Co.
P.O. Box 508
Dubuque, IA 52004-0508

Toll Free: 1-800-292-2737
Fax: 1-800-832-9296
Hours: 7:00 a.m. - 5:00 p.m., CST

sales@aymcdonald.com
www.aymcdonald.com

A.Y. McDonald considers the information on this assembly drawing correct when published. Item and option availability, including specifications, are subject to change without notice.

Submitted by:

SUBMITTAL DATA SHEET

DuraMAC™ Booster Pumps Residential | Light Commercial | Irrigation **DuraMAC™ - Residential Booster**



See Pumps & Accessories Price List for Limited Warranty details.

Sizing Information

DuraMAC™ Booster Systems are designed to shut off when no flow is detected. Pump pressure boost should be added to current system pressure to determine total system pressure when boosted.

Example:

Household system pressure before boost = 30 PSI

$$\begin{array}{rcl}
 \mathbf{30} & + & \\
 \text{Household} & & \text{Total Pump} & = & \text{Total Pressure} \\
 \text{Pressure} & & \text{Pressure} & & \text{After Boost} \\
 & & & & \text{*Not Recommended} \\
 & & & & \text{to Exceed 80 PSI}
 \end{array}$$

Models Available:

17035R020PC1	+35
17052R020PC1	+52
17070R020PC2	+70

$$\begin{array}{rcl}
 \mathbf{30} & + & \mathbf{35} & = & \mathbf{65} \\
 \text{Household} & & \text{Total Pump} & & \text{Total Pressure} \\
 \text{Pressure} & & \text{Pressure} & & \text{After Boost}
 \end{array}$$

Based on this example, the recommended model for this application is the 17035R020PC1.

For systems with fluctuating pressure, a pressure reducing valve is recommended to assure system pressure stays below 80 PSI.

Sizing Chart

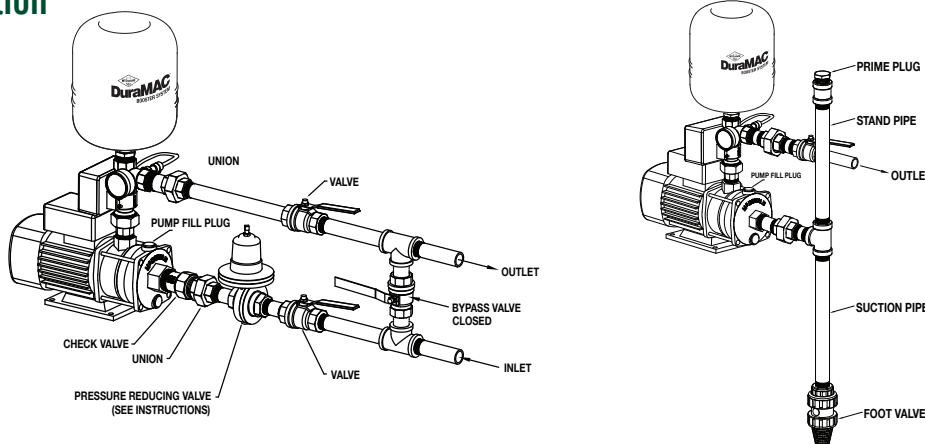
Total static pressure **DuraMAC™** pump

Incoming Pressure (PSI)	17035R020PC1 +35	17052R020PC1 +52	17070R020PC2
60			
55	90		
50	85		
45	80		
40	75		
35	70	87	
30	65	82	
25	60	77	
20	55	72	90
15	50	67	85
10	45	62	80

Materials of Construction

- Impellers 304 Stainless Steel
- Pump Casing Inlet 301 Stainless Steel
- Pump Casing Outlet 301 Stainless Steel
- Pump Seal (stationary) Silicon Carbide
- Pump Seal (rotating) Carbon / NBR
- Diffuser 304 Stainless Steel
- Check Valve No-Lead Brass
- Pump Controller Cross No-Lead Brass

Typical Installation



NO-LEAD: The weighted average of the wetted surface of this no-lead product contacted by consumable water contains less than one quarter of one percent (0.25%) lead.



A.Y. McDonald Mfg. Co.
P.O. Box 508
Dubuque, IA 52004-0508

Toll Free: 1-800-292-2737
Fax: 1-800-832-9296
Hours: 7:00 a.m. - 5:00 p.m., CST

sales@aymcdonald.com
www.aymcdonald.com

A.Y. McDonald considers the information on this assembly drawing correct when published. Item and option availability, including specifications, are subject to change without notice.

Submitted by: