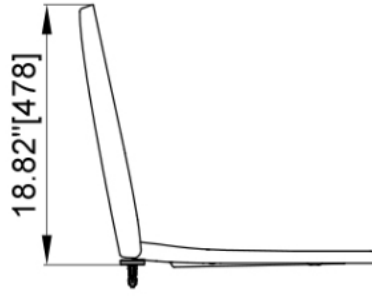
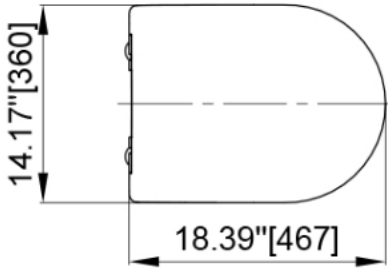




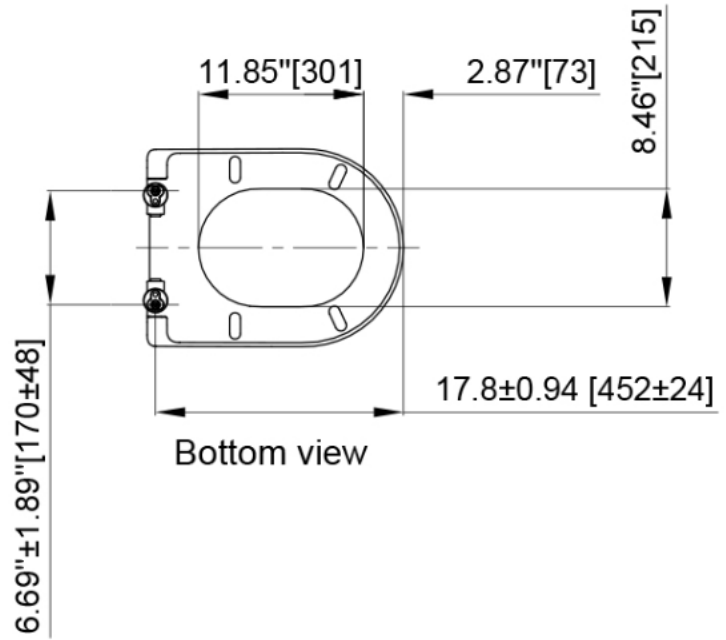
Left view



Left view, cover open



Top view



Bottom view