

AXOR Edge
Thermostatic Trim with Volume Control - Diamond Cut
 Finishes : **chrome** Part no. : **46751001**



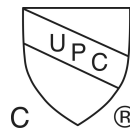
Features

- Volume control for 1 outlet
- Flow: 5.81 GPM (22 L/Min)
- Thermostatic cartridge, Ceramic cartridge
- Anti-scald 100° safety stop

Item details

List Price \$ 1,965.00

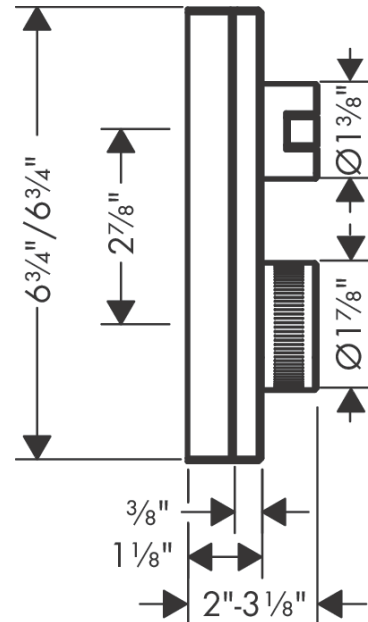
Compliance



Product image



Scale drawing

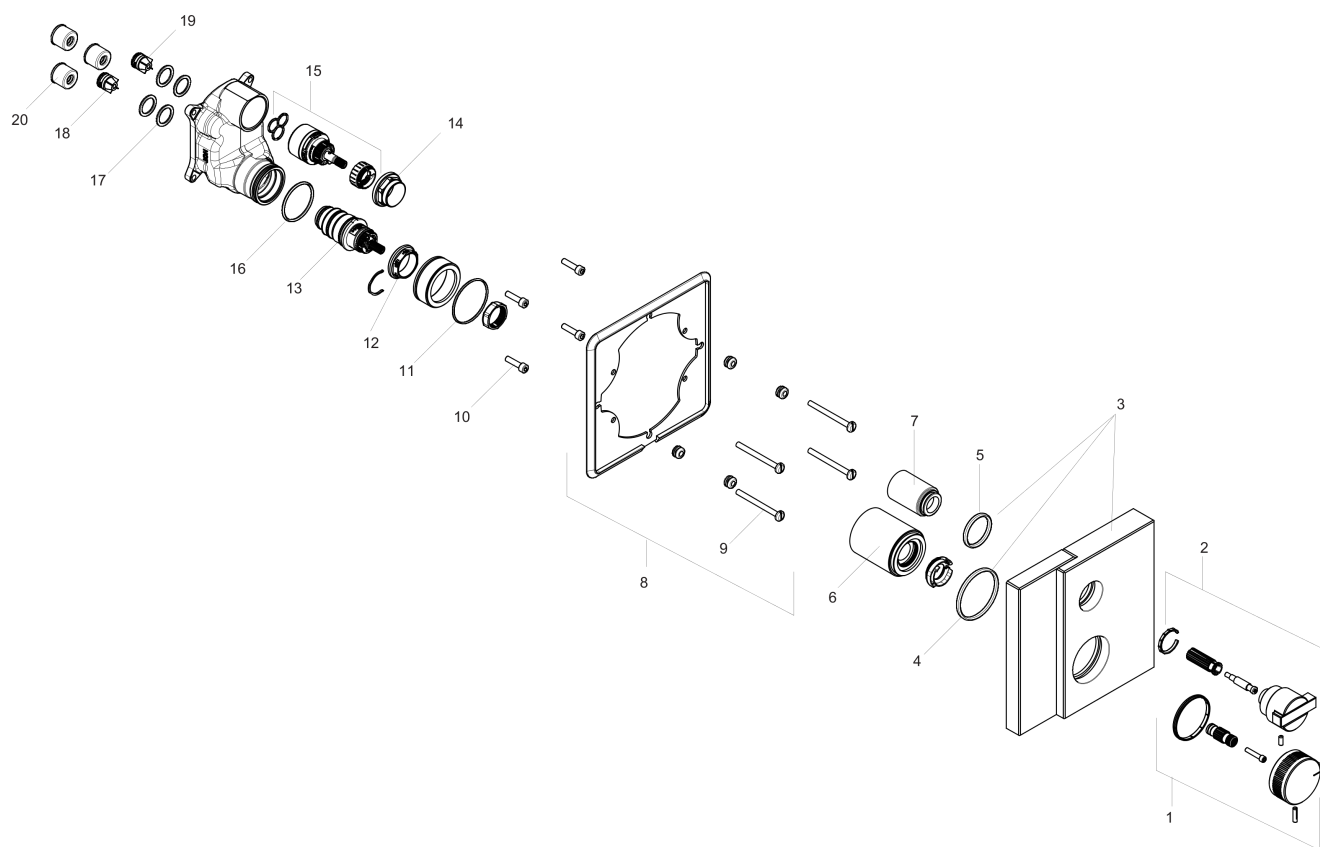


AXOR Edge
Thermostatic Trim with Volume Control - Diamond Cut
Finishes : **chrome** Part no. : **46751001**



Exploded drawing

Year of production: >01/20



AXOR Edge
Thermostatic Trim with Volume Control - Diamond Cut
 Finishes : **chrome** Part no. : **46751001**



Spare parts list

Year of production: >01/20

Pos.		Part no.	Price	PU
1	handle for thermostat	93593001	-	1
2	handle	93594001	-	1
3	escutcheon 170 / 170 mm	93596000	-	1
4	O-Ring 48x3	95508000	-	1
5	O-ring 29x3	98371000	-	1
6	sleeve	93602000	-	1
7	sleeve	93601000	-	1
8	sub plate	93604000	-	1
9	set of fixing screws	96454000	-	1
10	set of screws	96525000	-	1
11	O-ring 43x1,5	98148000	-	1
12	nut	98913000	-	1
13	thermostat cartridge	98282000	-	1
14	nut	93605000	-	1
15	shut off unit	95800000	-	1
16	O-ring 36x2	98156000	-	1
17	O-ring 16x2	98133000	-	1
18	non return valve (pressure-resistant up to 2 MPa)	92594000	-	1
19	set of non return valves DW 15	94074000	-	1
20	noise reduction	94073000	-	1
a	extension 25 mm	13595000	-	1
b	set of fixing screws	97747000	-	1