

AXOR Edge
Freestanding Tub Filler Trim with 1.75 GPM Handshower - Diamond Cut
 Finishes : **chrome** Part no. : **46441001**



Features

- spray type mixer: Aerated spray
- spray type hand shower: Full, IntenseRain
- Flow: 5.81 GPM (22 L/Min)
- flow rate for bath spout at 3 bar: 5.81 GPM (22 L/Min)
- flow rate of hand shower at 3 bar: 1.32 GPM (5 L/min)
- Ceramic cartridge
- diverter with automatic resetting
- Integrated double backflow prevention

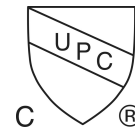
Item details

List Price \$ 3,946.00

Technology



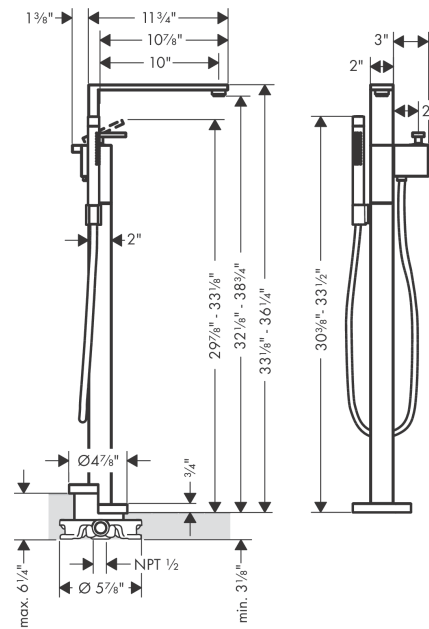
Compliance



Product image



Scale drawing

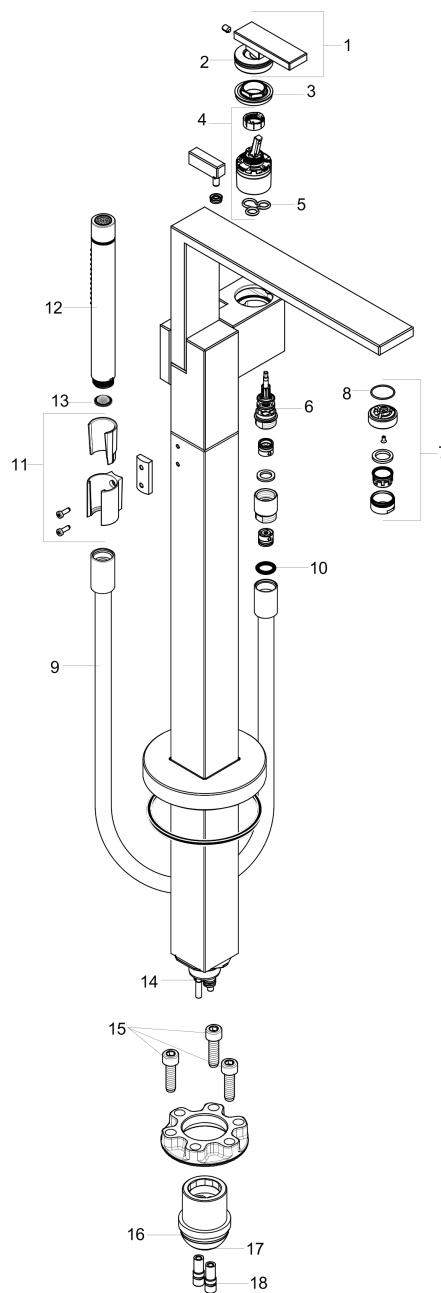


AXOR Edge
Freestanding Tub Filler Trim with 1.75 GPM Handshower - Diamond Cut
Finishes : **chrome** Part no. : **46441001**



Exploded drawing

Year of production: >01/20



AXOR Edge
Freestanding Tub Filler Trim with 1.75 GPM Handshower - Diamond Cut
 Finishes : **chrome** Part no. : **46441001**



Spare parts list

Year of production: >01/20

Pos.		Part no.	Price	PU
1	handle	93424000	-	1
2	O-ring 33x1,5	98164000	-	1
3	nut	93363000	-	1
4	cartridge, assy	93185000	-	1
5	seal	95008000	-	1
6	selector	97978000	-	1
7	aerator M24x1	93629000	-	1
8	O-ring 22x1,2	98397000	-	1
9	shower hose 1,25 m	28282000	-	1
10	seal	98058000	-	1
11	shower holder, assy	96295000	-	1
12	handshower	04486000	-	1
13	filter packing	94246000	-	1
14	O-ring 9x1,5	98117000	-	1
15	hexagon socket screw M10x35	97670000	-	1
16	O-ring 44x2,5	98162000	-	1
17	O-ring 29x3	98371000	-	1
18	O-ring 7x2	98419000	-	1
a	extension set 60 mm	97686000	-	1