

AXOR Edge
3-Hole Roman Tub Set Trim with 1.75 GPM Handshower - Diamond Cut
 Finishes : **chrome** Part no. : **46431001**



Features

- spray type mixer: Aerated spray
- spray type hand shower: Full, IntenseRain
- Maximum pull-out length of hand shower: 55 inches
- sBox for quiet, smooth and protected hose guidance
- Flow: 5.02 GPM (19 L/Min)
- Ceramic cartridge
- Integrated double backflow prevention

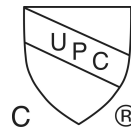
Item details

List Price \$ 3,378.00

Technology



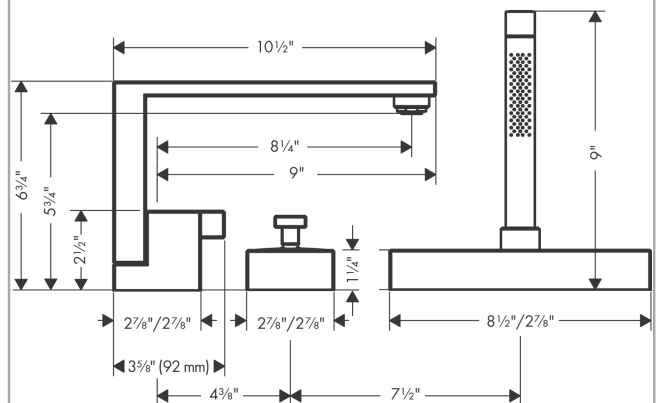
Compliance



Product image



Scale drawing

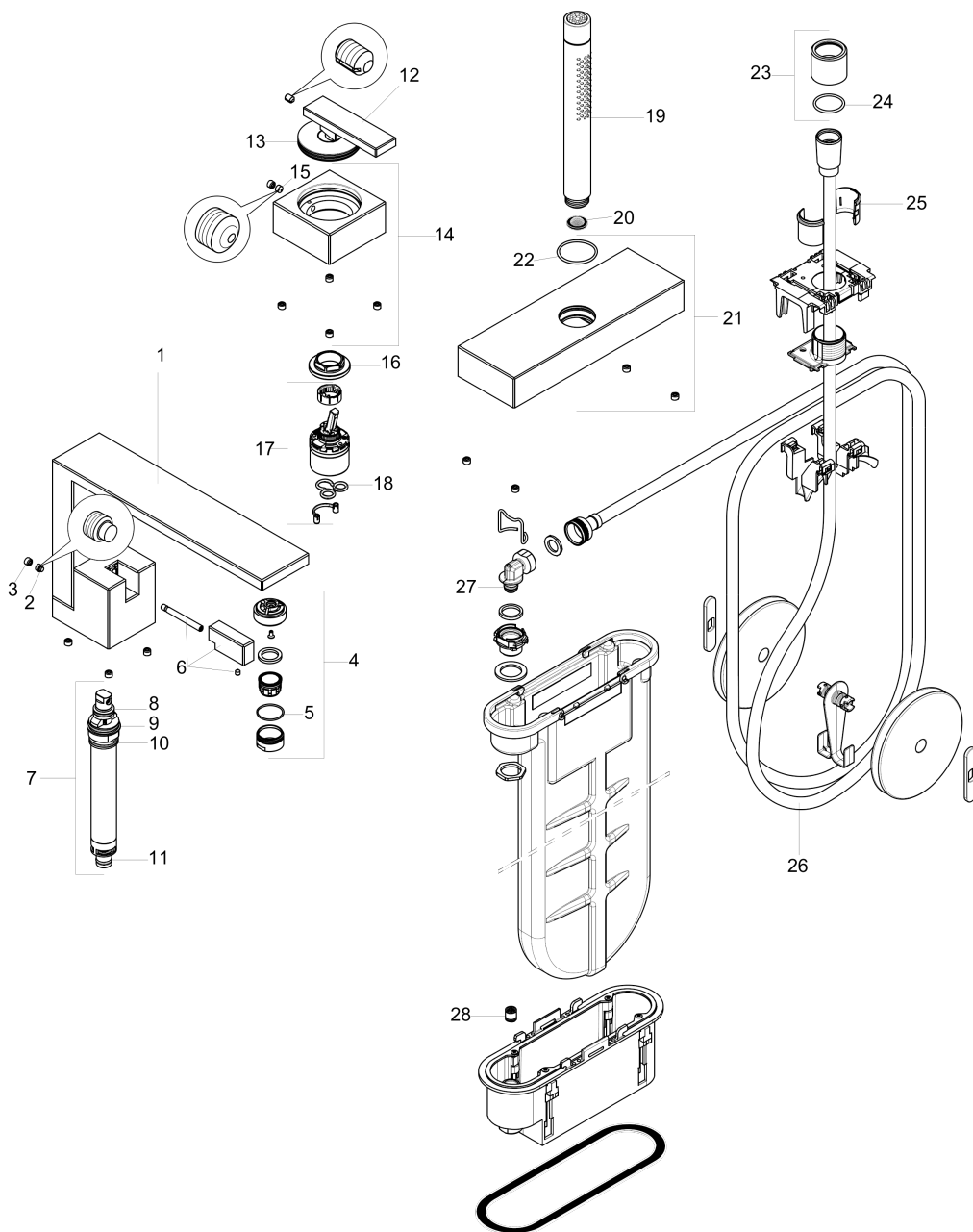


AXOR Edge
3-Hole Roman Tub Set Trim with 1.75 GPM Handshower - Diamond Cut
Finishes : **chrome** Part no. : **46431001**



Exploded drawing

Year of production: >01/20



AXOR Edge
3-Hole Roman Tub Set Trim with 1.75 GPM Handshower - Diamond Cut
 Finishes : **chrome** Part no. : **46431001**



Spare parts list

Year of production: >01/20

Pos.		Part no.	Price	PU
1	spout cpl.	93586000	-	1
2	hollow set screw M6x6	97660000	-	1
3	screw cover	95704000	-	1
4	aerator M24x1 (30 l/min)	93584000	-	1
5	O-ring 22x1,2	98397000	-	1
6	diverter knob	93583000	-	1
7	selector assy	93589000	-	1
8	O-Ring 14x2,5	98189000	-	1
9	O-Ring 23x2,5	98183000	-	1
10	O-Ring 22x2	98185000	-	1
11	O-ring 9x2,5	98217000	-	1
12	handle	93590000	-	1
13	O-ring 52x1,5	98200000	-	1
14	escutcheon for handle	93587000	-	1
15	hollow set screw M6x5	98447000	-	1
16	nut	93592000	-	1
17	cartridge, assy	93185000	-	1
18	seal	95008000	-	1
19	handshower	28532000	-	1
20	filter packing	94246000	-	1
21	escutcheon	93582000	-	1
22	O-Ring 32x2	98193000	-	1
23	nut	93591000	-	1
24	O-ring 24x2	98388000	-	1
25	insert for shower holder	96942000	-	1
26	shower hose	93506000	-	1
27	O-ring 9x2	98119000	-	1
28	non return valve DW 10	96456000	-	1