

AXOR Edge

Thermostatic Trim for Exposed/Concealed Installation for 2 Functions - Diamond Cut

Finishes : **chrome** Part no. : **46241001**



Features

- Select push-button on/off control for 2 outlets
- Outlets may be operated simultaneously
- Flow: 1.85 GPM (7 L/Min)
- Thermostatic cartridge
- Anti-scald 100° safety stop
- Shelf color: frosted grey glass
- Trim comes with Select buttons: handshower and Rain

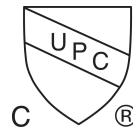
Item details

List Price \$ 5,221.00

Technology



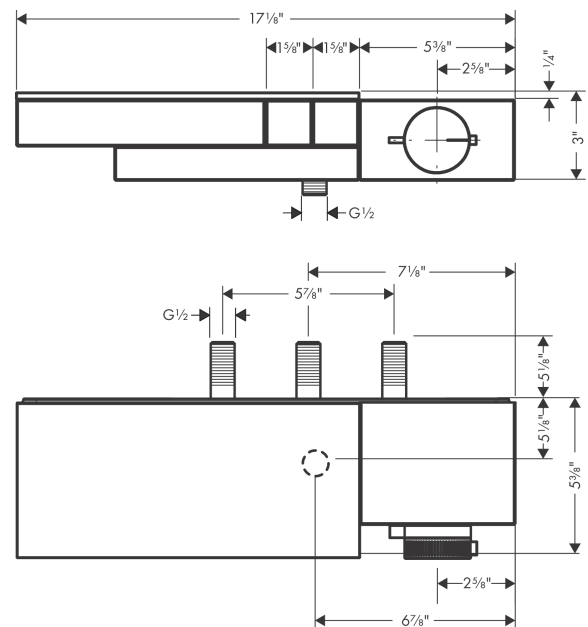
Compliance



Product image



Scale drawing

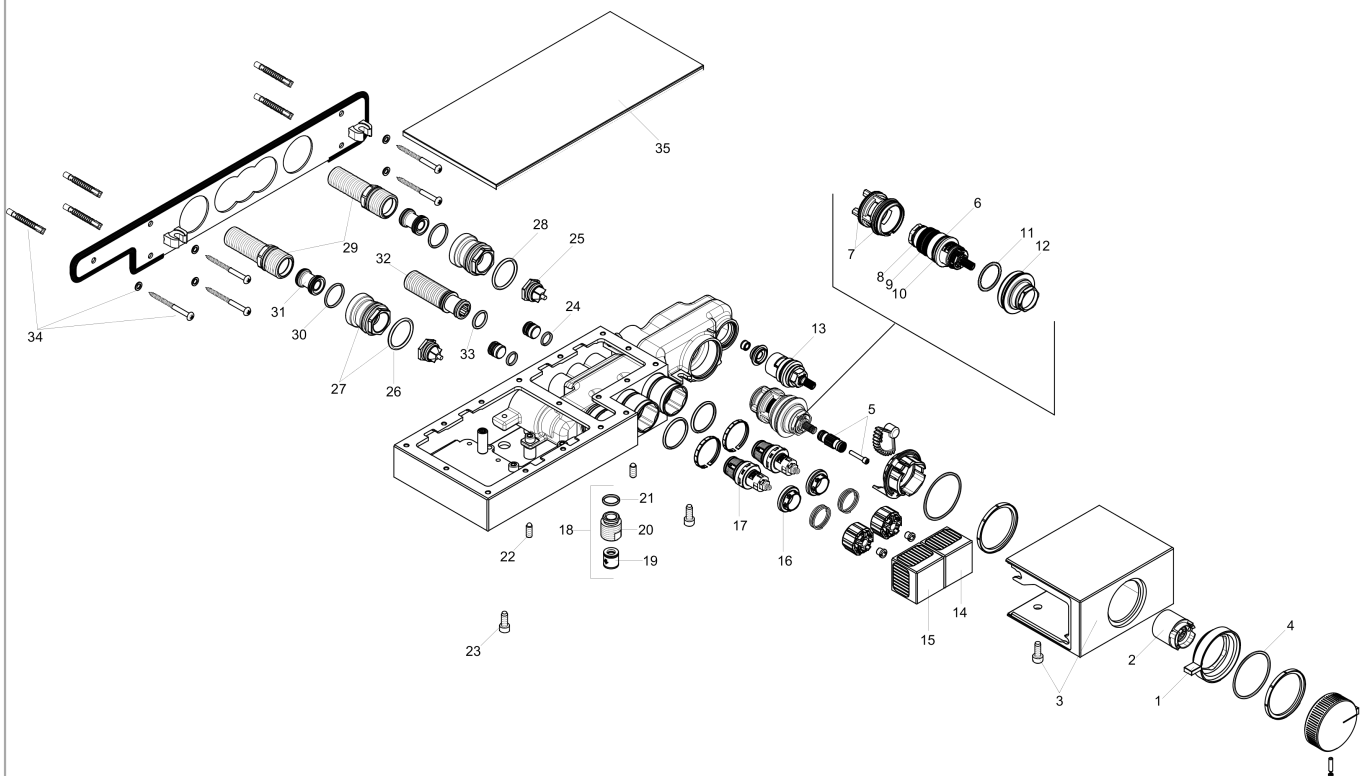


AXOR Edge
Thermostatic Trim for Exposed/Concealed Installation for 2 Functions - Diamond Cut
Finishes : **chrome** Part no. : **46241001**



Exploded drawing

Year of production: >01/20



AXOR Edge

Thermostatic Trim for Exposed/Concealed Installation for 2 Functions - Diamond Cut

Finishes : **chrome** Part no. : **46241001**



Spare parts list

Year of production: >01/20

Pos.		Part no.	Price	PU
1	handle	93614000	-	1
2	sleeve	93613000	-	1
3	cover	93615000	-	1
4	O-Ring 50x2	98187000	-	1
5	adapter for handle	93611000	-	1
6	thermostat cartridge	98282000	-	1
7	O-ring 34x2	98383000	-	1
8	O-ring 20x1,5	98197000	-	1
9	O-ring 25x1,5	98146000	-	1
10	O-ring 25x2,5	92146000	-	1
11	O-ring 26x2	98147000	-	1
12	O-ring 38x2,5	98198000	-	1
13	shut off unit	98536000	-	1
14	symbol head shower Rain small	93608000	-	1
15	symbol handshower	93607000	-	1
16	nut	98368000	-	1
17	shut off unit	95758000	-	1
18	Hose Connection	96044000	-	1
19	set of non return valves DW 15	94074000	-	1
20	connecting thread	95392000	-	1
21	O-ring 14x2	98129000	-	1
22	hollow set screw M6x16 including o-ring 29x3	98372000	-	1
23	hexagon socket screw M6x16	92857000	-	1
24	O-ring 11x2	98127000	-	1
25	non return valve (pressure-resistant up to 2 MPa)	95773000	-	1
26	O-ring 17x2	98199000	-	1
27	adapter for ball S - union	02026000	-	1
28	O-ring 29x3	98371000	-	1
29	set of connecting threads	93231000	-	1
30	O-ring 23x2	98398000	-	1
31	noise reduction	96429000	-	1
32	connecting thread	93232000	-	1
33	O-ring 15x2,5	98131000	-	1
34	mounting set	92841000	-	1

AXOR Edge
Thermostatic Trim for Exposed/Concealed Installation for 2 Functions - Diamond Cut
 Finishes : **chrome** Part no. : **46241001**



Spare parts list

Year of production: >01/20

Pos.		Part no.	Price	PU
35	shelf	93616000	-	1
a	fit-up aid	93612000	-	1
b	handle for thermostat	93610001	-	1