

AXOR Edge
Single-Hole Faucet 280 - Diamond Cut, 1.2 GPM
 Finishes : **chrome** Part no. : **46031001**



Features

- Spray modes: Aerated spray
- Flow: 1.32 GPM (5 L/min)
- Ceramic cartridge
- Does not include: Pop-up assembly

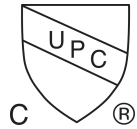
Item details

List Price \$ 1,870.00

Technology



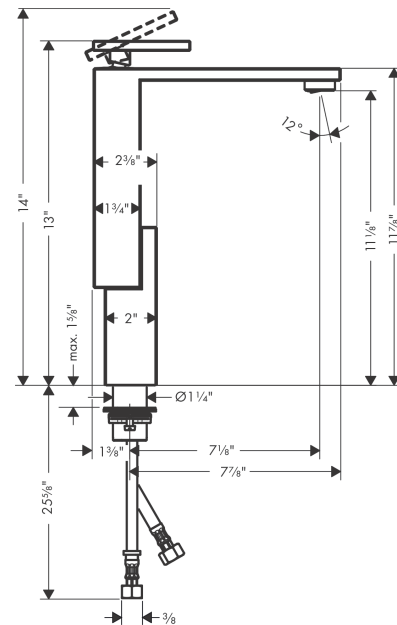
Compliance



Product image



Scale drawing

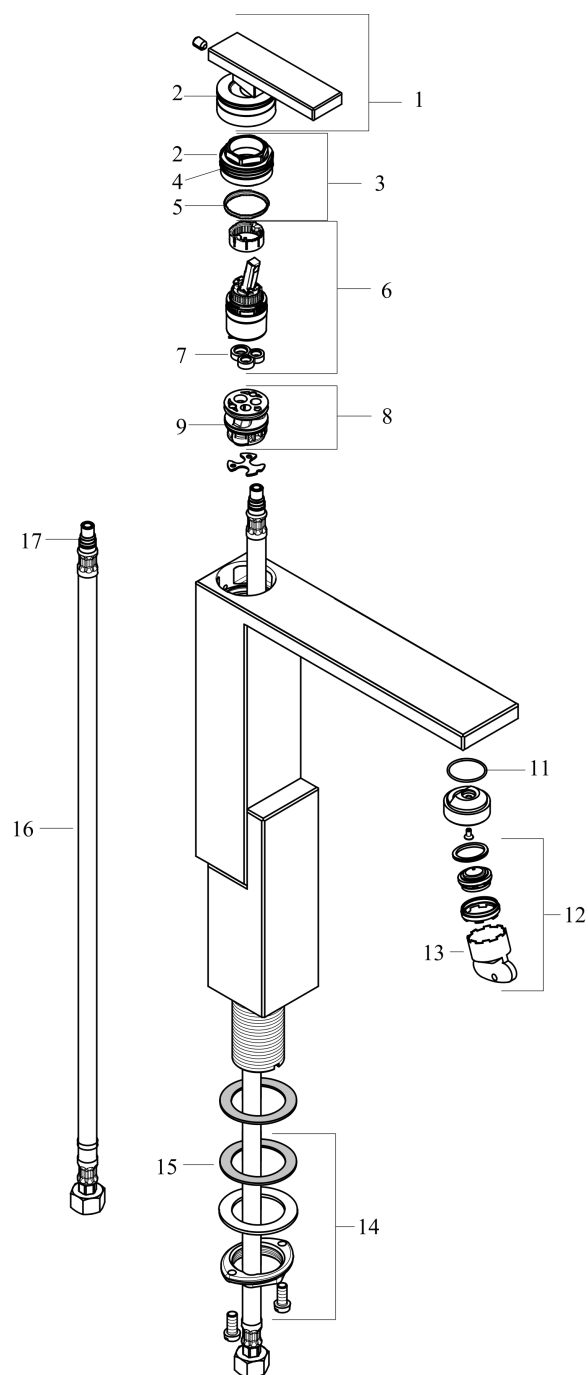


AXOR Edge
Single-Hole Faucet 280 - Diamond Cut, 1.2 GPM
Finishes : **chrome** Part no. : **46031001**



Exploded drawing

Year of production: >01/20



AXOR Edge
Single-Hole Faucet 280 - Diamond Cut, 1.2 GPM
 Finishes : **chrome** Part no. : **46031001**



Spare parts list

Year of production: >01/20

Pos.		Part no.	Price	PU
1	handle	93422000	-	1
2	O-ring 33x1,5	98164000	-	1
3	nut	92926000	-	1
4	O-ring 29x2	98391000	-	1
5	O-ring 25x1,5	98146000	-	1
6	cartridge, assy	92900000	-	1
7	seal	93383000	-	1
8	adapter for cartridge	98866000	-	1
9	O-ring 23x2	98398000	-	1
10	O-ring 22x1,2	98397000	-	1
11	fixing set (Ø 32)	13961000	-	1
12	lever collar	97548000	-	1
13	connection hose 35½" M8x0,75 3/8"	96316001	-	1
14	O-ring 7x1,5	98422000	-	1
15	aerator M24x1 (4,5 l/min)	93202000	-	1
16	service tool	95661000	-	1