

AXOR Edge
Single-Hole Faucet 190, 1.2 GPM
 Finishes : **chrome** Part no. : **46020001**



Features

- Spray modes: Aerated spray
- Flow: 1.32 GPM (5 L/min)
- Ceramic cartridge
- Does not include: Pop-up assembly

Item details

List Price \$ 1,691.00

Technology



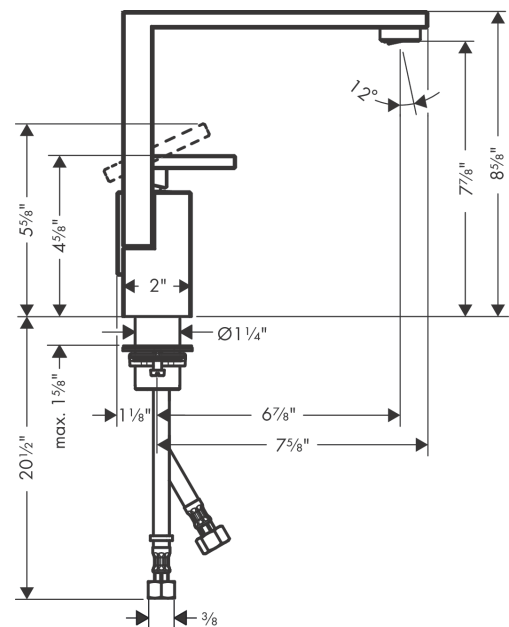
Compliance



Product image



Scale drawing

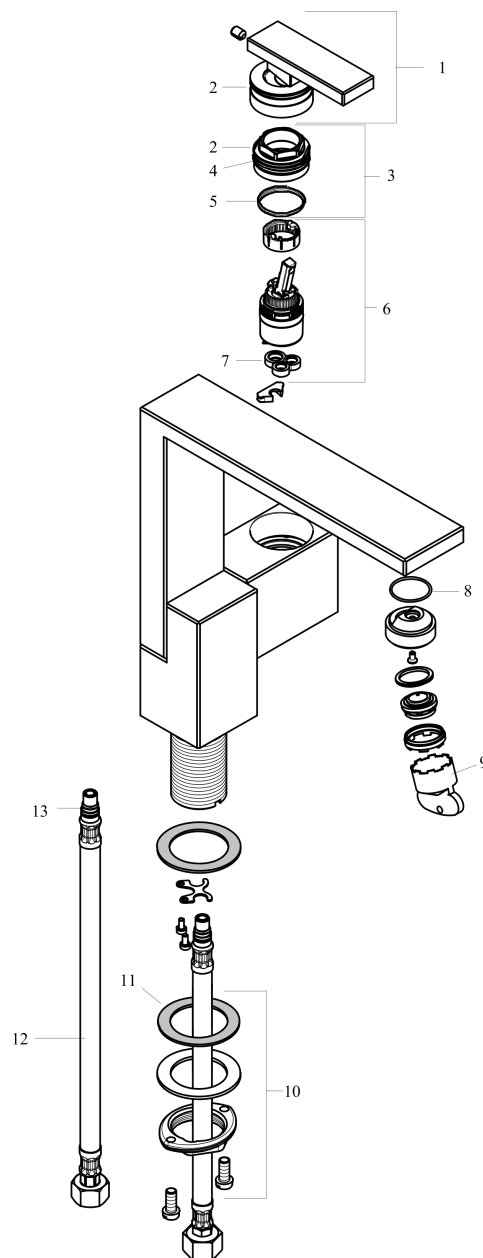


AXOR Edge
Single-Hole Faucet 190, 1.2 GPM
Finishes : **chrome** Part no. : **46020001**



Exploded drawing

Year of production: >01/20



AXOR Edge
Single-Hole Faucet 190, 1.2 GPM
 Finishes : **chrome** Part no. : **46020001**



Spare parts list

Year of production: >01/20

| Pos. | | Part no. | Price | PU |
|------|-----------------------------------|----------|-------|----|
| 1 | handle | 93424000 | - | 1 |
| 2 | O-ring 33x1,5 | 98164000 | - | 1 |
| 3 | nut | 92926000 | - | 1 |
| 4 | O-ring 29x2 | 98391000 | - | 1 |
| 5 | O-ring 25x1,5 | 98146000 | - | 1 |
| 6 | cartridge, assy | 92900000 | - | 1 |
| 7 | seal | 93383000 | - | 1 |
| 8 | O-ring 22x1,2 | 98397000 | - | 1 |
| 9 | service tool | 95661000 | - | 1 |
| 10 | fixing set (Ø 32) | 13961000 | - | 1 |
| 11 | lever collar | 97548000 | - | 1 |
| 12 | connection hose 23½" M8x0,75 3/8" | 98600001 | - | 1 |
| 13 | O-ring 7x1,5 | 98422000 | - | 1 |