

AXOR MyEdition
Wall-Mounted Single-Handle Faucet Trim without Plate, 1.2 GPM
 Finishes : Part no. : **47062001**



Features

- Spray modes: PowderRain spray
- Flow: 1.2 GPM (4.5 L/Min)
- Ceramic cartridge
- Does not include: Plate

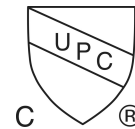
Item details

List Price \$ 826.00

Technology



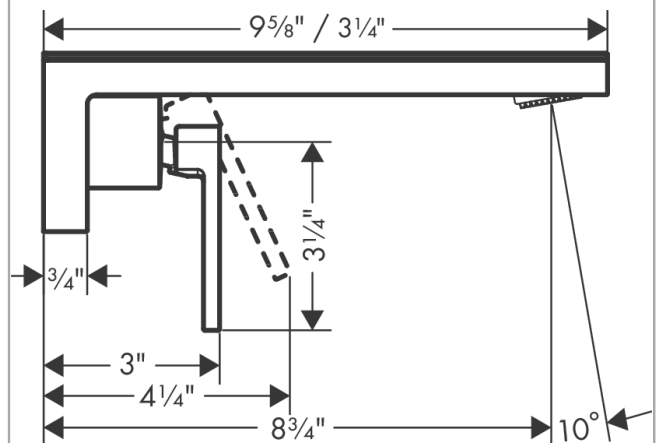
Compliance



Product image



Scale drawing

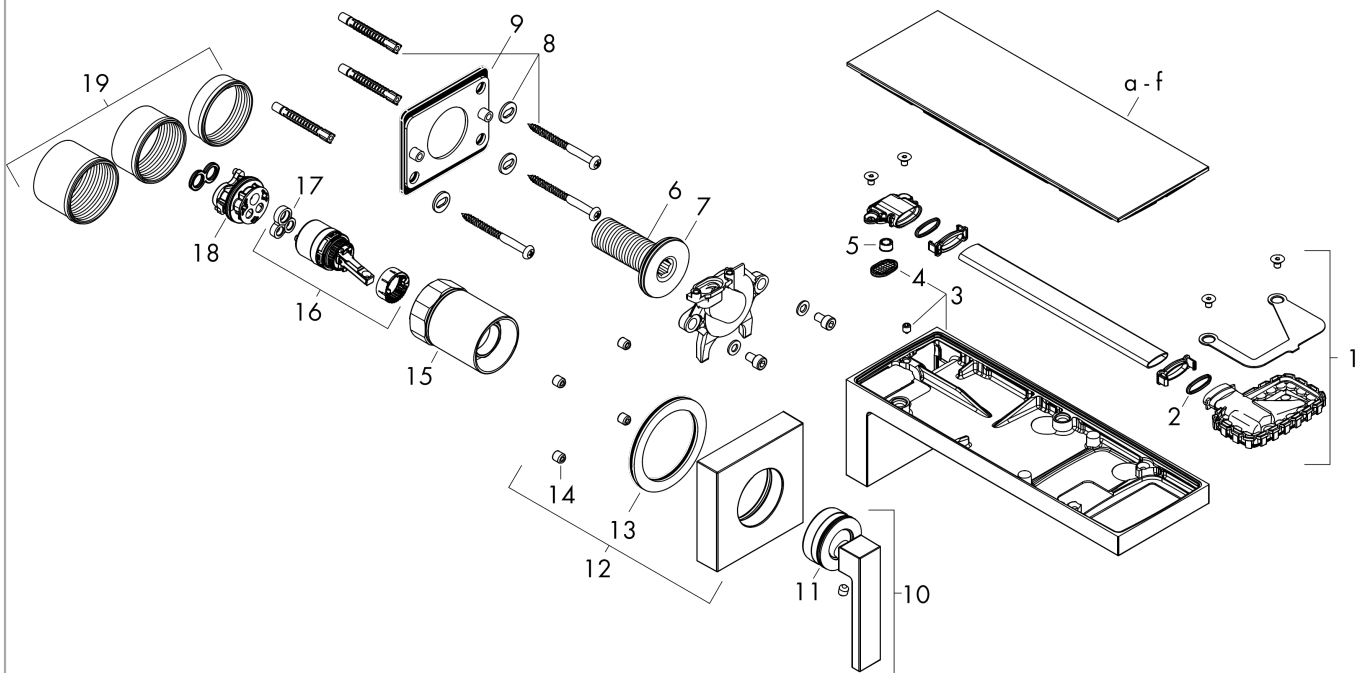


AXOR MyEdition
Wall-Mounted Single-Handle Faucet Trim without Plate, 1.2 GPM
Finishes : Part no. : **47062001**



Exploded drawing

Year of production: >02/19



AXOR MyEdition
Wall-Mounted Single-Handle Faucet Trim without Plate, 1.2 GPM
 Finishes : Part no. : **47062001**



Spare parts list

Year of production: >02/19

| Pos. | | Part no. | Price | PU |
|------|------------------------|----------|-------|----|
| 1 | spray former | 93385000 | - | 1 |
| 2 | O-ring 13x1,5 | 98475000 | - | 1 |
| 3 | spout 220 mm | 93370000 | - | 1 |
| 4 | filter packing | 93374000 | - | 1 |
| 5 | flow limiter (5 l/min) | 95311000 | - | 1 |
| 6 | connecting thread G½ | 93387000 | - | 1 |
| 7 | O-ring 36x2 | 98156000 | - | 1 |
| 8 | mounting set | 96179000 | - | 1 |
| 9 | null | 93925000 | - | 1 |
| 10 | handle | 93372000 | - | 1 |
| 11 | O-ring 33x1,5 | 98164000 | - | 1 |
| 12 | escutcheon for handle | 93371000 | - | 1 |
| 13 | washer | 97600000 | - | 1 |
| 14 | screw cover | 96762000 | - | 1 |
| 15 | sleeve | 93373000 | - | 1 |
| 16 | cartridge, assy | 92900000 | - | 1 |
| 17 | seal | 93383000 | - | 1 |
| 18 | O-ring 26x2 | 98147000 | - | 1 |
| 19 | fixing set | 97971000 | - | 1 |
| a | cover | 47907000 | - | 1 |
| b | cover | 47910000 | - | 1 |
| c | cover | 47914000 | - | 1 |
| d | cover | 47917000 | - | 1 |
| e | cover | 47904000 | - | 1 |
| f | cover | 47901000 | - | 1 |
| g | extension 25 mm | 13586000 | - | 1 |
| h | null | 93407000 | - | 1 |