

**AXOR MyEdition**  
**Single-Hole Faucet 70 without Plate, 1.2 GPM**  
 Finishes : Part no. : **47012001**



### Features

- Spray modes: PowderRain spray
- Flow: 1.2 GPM (4.5 L/Min)
- Ceramic cartridge
- Does not include: Plate, Pop-up assembly

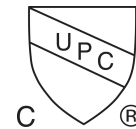
### Item details

List Price \$ 970.00

### Technology



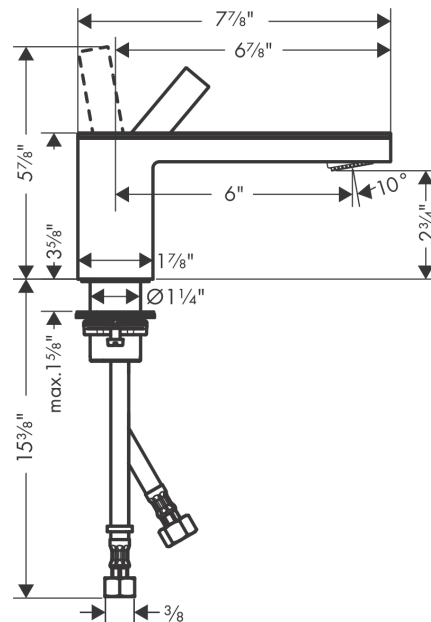
### Compliance



### Product image



### Scale drawing

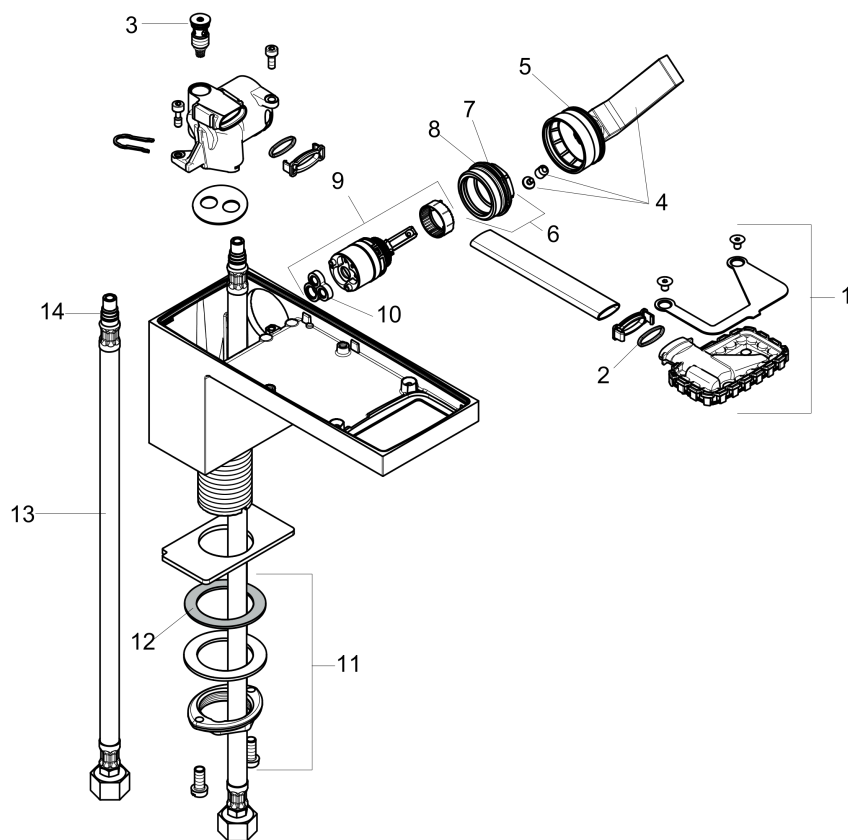


**AXOR MyEdition**  
**Single-Hole Faucet 70 without Plate, 1.2 GPM**  
Finishes : Part no. : **47012001**



## Exploded drawing

Year of production: >02/19



**AXOR MyEdition**  
**Single-Hole Faucet 70 without Plate, 1.2 GPM**  
 Finishes : Part no. : **47012001**



## Spare parts list

Year of production: >02/19

Pos.		Part no.	Price	PU
1	spray former	93385000	-	1
2	O-ring 13x1,5	98475000	-	1
3	O-ring 8x1,75	97827000	-	1
4	handle	93386000	-	1
5	O-ring 33x1,5	98164000	-	1
6	nut	92926000	-	1
7	O-ring 30x1,5	98433000	-	1
8	O-ring 25x1,5	98146000	-	1
9	cartridge, assy	92900000	-	1
10	seal	93383000	-	1
11	fixing set (Ø 32)	13961000	-	1
12	lever collar	97548000	-	1
13	connection hose 35½" M8x0,75 3/8"	96316001	-	1
14	O-ring 7x1,5	98422000	-	1
a	cover	47906000	-	1
b	cover	47909000	-	1
c	cover	47913000	-	1
d	cover	47916000	-	1
e	cover	47903000	-	1
f	cover	47900000	-	1