

**AXOR One**  
**Wall-Mounted Single-Handle Faucet Select, 1.2 GPM, without Pop-up Drain**  
 Finish: **chrome** Part no. : **48112001**



**Description**

**Features**

- Handle variant: Select
- Spray modes: aerated spray
- Max. flow: 1.2 GPM (4.5 L/Min)
- Select cartridge for easy, intuitive operation: Push handle to turn water on and off, and turn to adjust temperature

**Item details**

List Price \$ 1,135.00

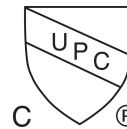
**Technology**



**Design awards**



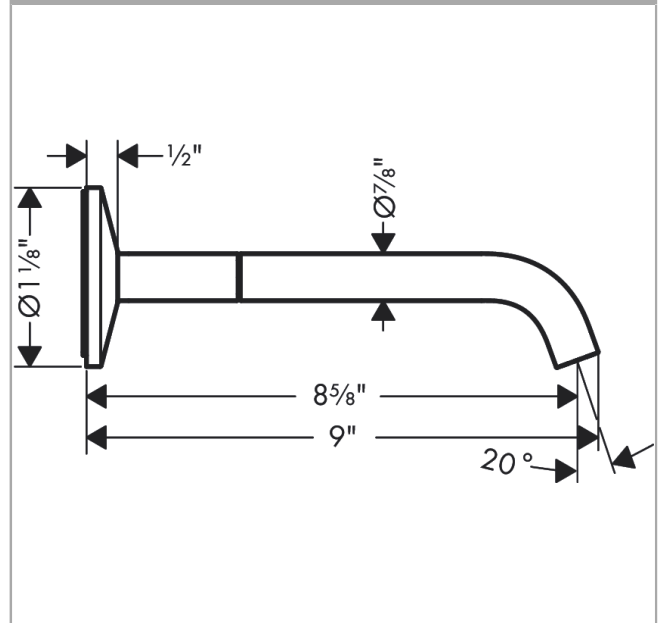
**Compliance / Sustainability**



**Product image**



**Scale drawing**

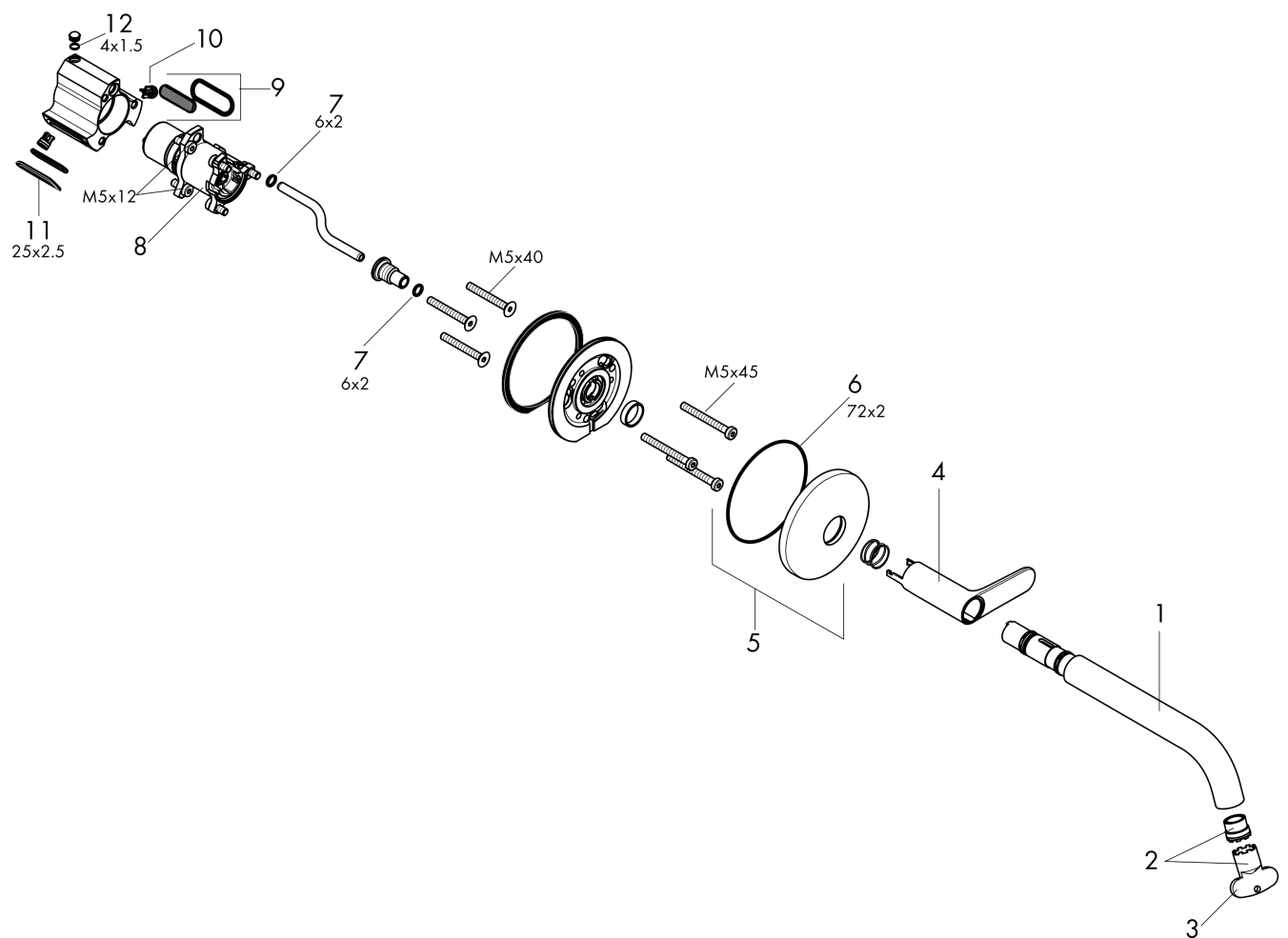


**AXOR One**  
**Wall-Mounted Single-Handle Faucet Select, 1.2 GPM, without Pop-up Drain**  
 Finish: **chrome** Part no. : **48112001**



Exploded drawing

Year of production: >10/21



## AXOR One

Wall-Mounted Single-Handle Faucet Select, 1.2 GPM, without Pop-up Drain

Finish: **chrome** Part no. : **48112001**



### Spare parts list

Year of production: >10/21

Pos.	Description	Part no.	Price	PU
1	spout cpl.	94313000	-	1
2	aerator M16,5x1 (4,5 l/min)	92875000	-	1
3	special tool	98987000	-	1
4	handle	94314000	-	1
5	escutcheon Ø 80 mm	94315000	-	1
6	O-ring 72x2	98395000	-	1
7	O-ring 6x2	98458000	-	1
8	cartridge, assy	94317000	-	1
9	filter	94316000	-	1
10	non return valve	93250000	-	1
11	O-ring 25x2,5	92146000	-	1
12	O-ring 4x1,5	93463000	-	1
a	escutcheon Ø 80 mm	13611000	-	1
b	escutcheon height = 36 mm (when wall is not deep enough).	13610000	-	1
c	extension 25 mm	13609000	-	1