

AXOR One
2-Hole Single-Handle Faucet 260, 1.2 GPM, without Pop-up Drain
 Finish: **chrome** Part no. : **48060001**



Description

Features

- Spout height: 10 Inch
- Handle variant: Select
- Swivel range 120°
- Spray modes: aerated spray
- Max. flow: 1.2 GPM (4.5 L/Min)
- Select cartridge for easy, intuitive operation: Push handle to turn water on and off, and turn to adjust temperature

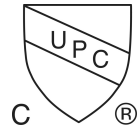
Item details

List Price \$ 1,277.00

Technology



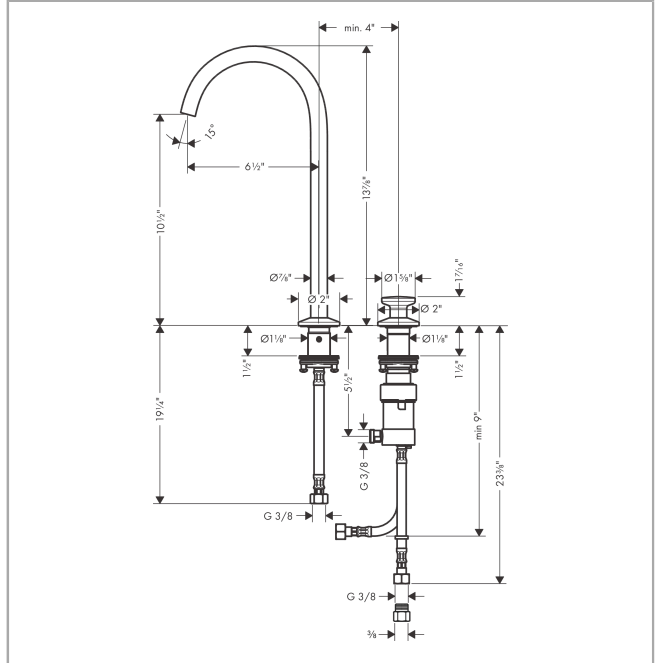
Compliance / Sustainability



Product image



Scale drawing

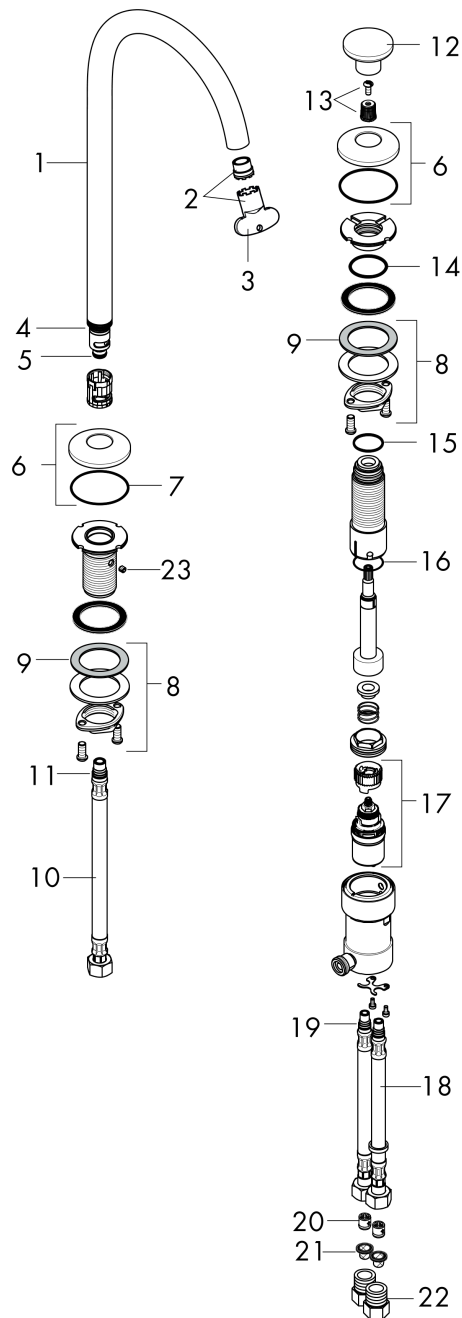


AXOR One
2-Hole Single-Handle Faucet 260, 1.2 GPM, without Pop-up Drain
 Finish: **chrome** Part no. : **48060001**



Exploded drawing

Year of production: >08/21



AXOR One
2-Hole Single-Handle Faucet 260, 1.2 GPM, without Pop-up Drain
 Finish: **chrome** Part no. : **48060001**



Spare parts list

Year of production: >08/21

Pos.	Description	Part no.	Price	PU
1	spout cpl.	93996000	-	1
2	aerator M16,5x1 (4,5 l/min)	92875000	-	1
3	special tool	98987000	-	1
4	O-ring 18x1,5	98231000	-	1
5	O-ring 9x1,5	98117000	-	1
6	escutcheon	93998000	-	1
7	O-Ring 46x2	98195000	-	1
8	null	92909000	-	1
9	lever collar	97548000	-	1
10	connection hose 450 mm M10x1 G3/8	96507000	-	1
11	O-ring 8x1,75	97827000	-	1
12	handle	93997000	-	1
13	handle fixing set	98932000	-	1
14	escutcheon for handle	94893000	-	1
15	O-ring 28x2,5	98209000	-	1
16	O-Ring 22x2	98185000	-	1
17	O-ring 23x1,5	92287000	-	1
18	cartridge, assy	92529000	-	1
19	connection hose 450 mm M8x0,75 G3/8	93405000	-	1
20	O-ring 7x1,5	98422000	-	1
21	non return valve DW 10	96456000	-	1
22	filter packing	95291000	-	1
23	adapter for connection hose	88802000	-	1
24	hollow set screw M5x5	98446000	-	1