

**AXOR MyEdition**  
**Freestanding Tub Filler Trim with 1.75 GPM Handshower without Plate**  
 Finish: **chrome** Part no. : **47442001**



**Description**

**Features**

- Spray type mixer: aerated spray
- Spray type hand shower: Full, IntenseRain
- Max. flow: 5.0 GPM (19 L/Min)
- Flow rate of hand shower at 3 bar: 1.75 GPM (6.6 L/Min)
- Ceramic cartridge
- Diverter with automatic resetting
- Integrated double backflow prevention

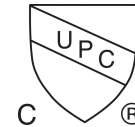
**Item details**

List Price \$ 2,767.00

**Technology**



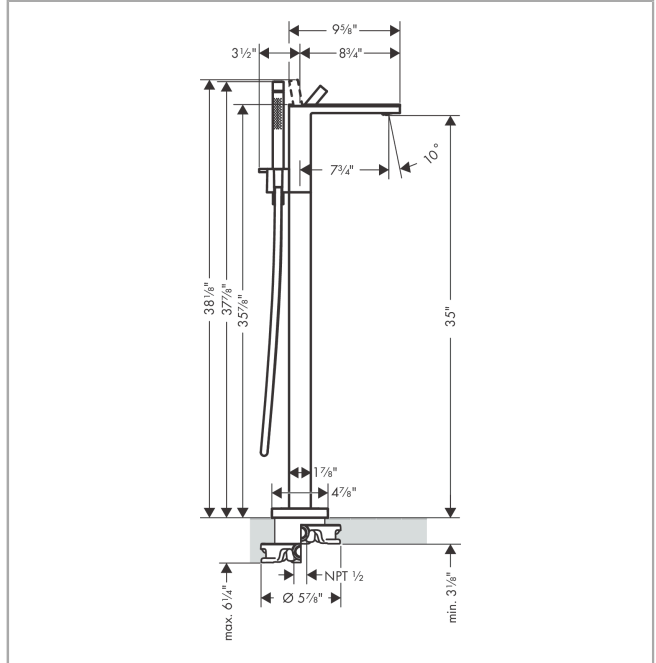
**Compliance / Sustainability**



**Product image**



**Scale drawing**

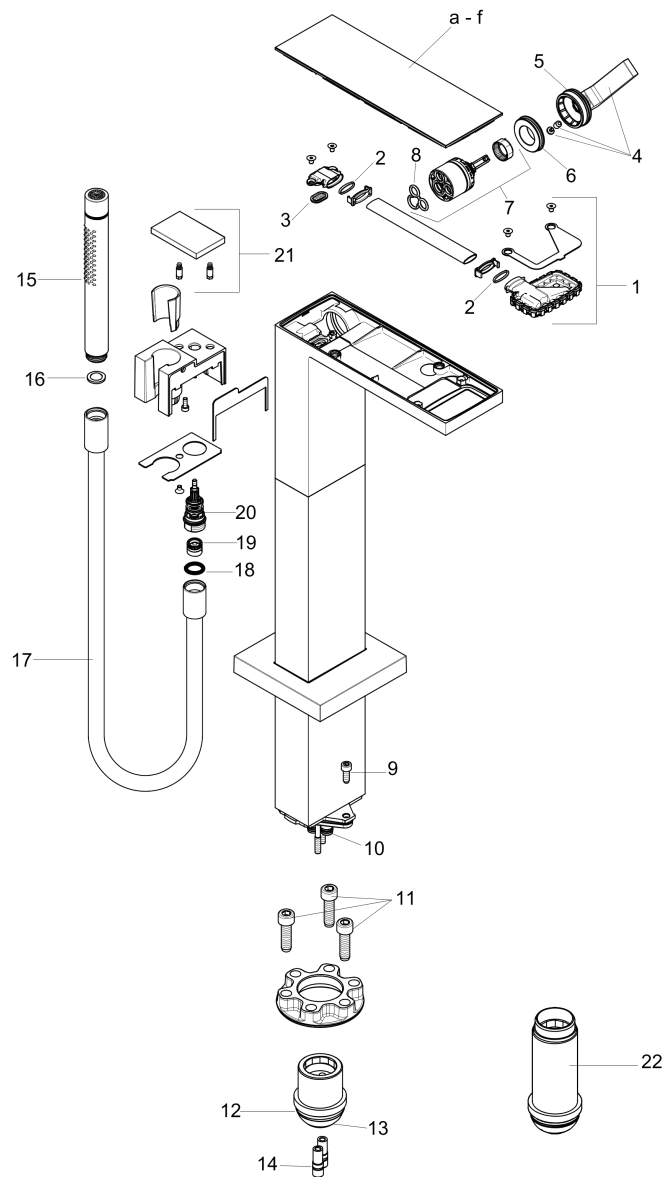


**AXOR MyEdition**  
**Freestanding Tub Filler Trim with 1.75 GPM Handshower without Plate**  
 Finish: **chrome** Part no. : **47442001**



Exploded drawing

Year of production: >02/19



## AXOR MyEdition

Freestanding Tub Filler Trim with 1.75 GPM Handshower without Plate

Finish: **chrome** Part no. : **47442001**



### Spare parts list

Year of production: >02/19

Pos.	Description	Part no.	Price	PU
1	spray former	93376000	-	1
2	O-ring 13x1,5	98475000	-	1
3	filter packing	93378000	-	1
4	handle	93361000	-	1
5	O-ring 35x1,5	92114000	-	1
6	nut	93363000	-	1
7	cartridge, assy	93185000	-	1
8	seal	95008000	-	1
9	hexagon socket screw M6x16	92857000	-	1
10	O-ring 9x1,5	98117000	-	1
11	hexagon socket screw M10x35	97670000	-	1
12	O-ring 44x2,5	98162000	-	1
13	O-ring 29x3	98371000	-	1
14	O-ring 7x2	98419000	-	1
15	handshower	04486000	-	1
16	filter packing	94246000	-	1
17	shower hose 1,25 m	28282000	-	1
18	seal	98058000	-	1
19	set of non return valves DW 15	94074000	-	1
20	selector	97978000	-	1
21	diverter knob	93362000	-	1
22	extension set 60 mm	97686000	-	1
a	cover	47907000	-	1
b	cover	47910000	-	1
c	cover	47914000	-	1
d	cover	47917000	-	1
e	cover	47904000	-	1
f	cover	47901000	-	1