

AXOR MyEdition
Freestanding Tub Filler Trim with 1.75 GPM Handshower
 Finish: **chrome / black glass** Part no. : **47440601**



Description

Features

- Plate of glass made of safety glass
- Spray type mixer: aerated spray
- Spray type hand shower: Full, IntenseRain
- Max. flow: 5.0 GPM (19 L/Min)
- Flow rate of hand shower at 3 bar: 1.75 GPM (6.6 L/Min)
- Ceramic cartridge
- Diverter with automatic resetting
- Integrated double backflow prevention

Item details

List Price \$ 3,255.00

Technology



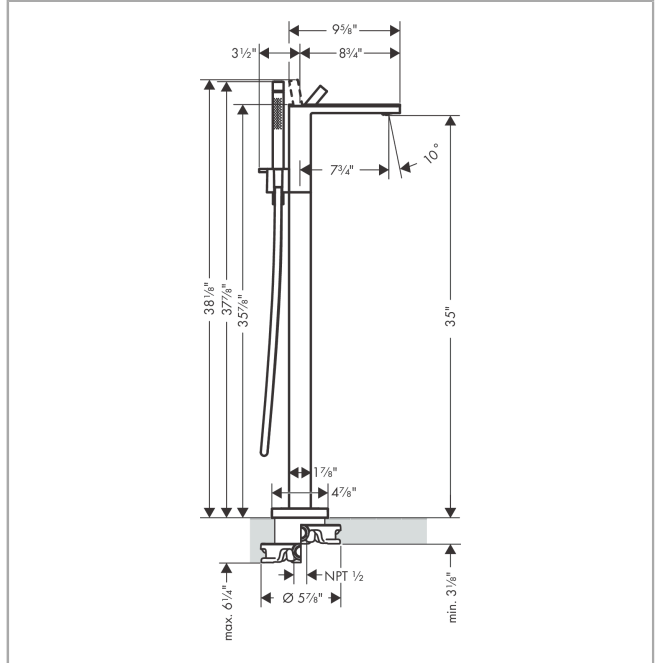
Compliance / Sustainability



Product image



Scale drawing

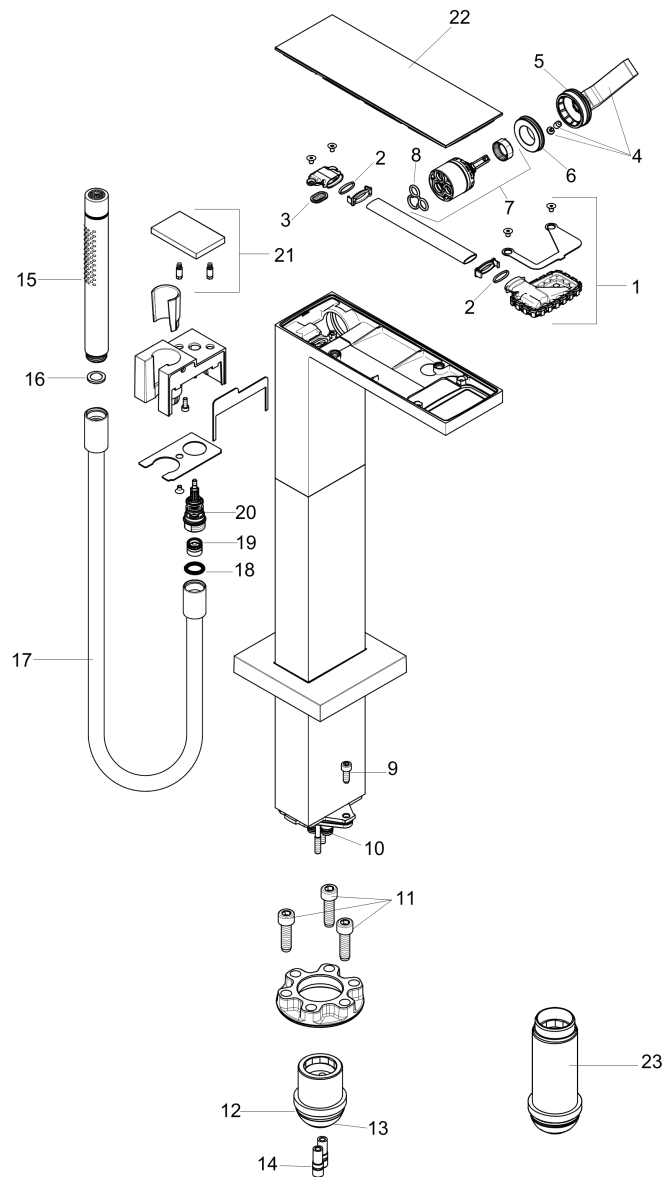


AXOR MyEdition
Freestanding Tub Filler Trim with 1.75 GPM Handshower
 Finish: **chrome / black glass** Part no. : **47440601**



Exploded drawing

Year of production: >02/19



AXOR MyEdition
Freestanding Tub Filler Trim with 1.75 GPM Handshower
 Finish: **chrome / black glass** Part no. : **47440601**



Spare parts list

Year of production: >02/19

| Pos. | Description | Part no. | Price | PU |
|------|--------------------------------|----------|-------|----|
| 1 | spray former | 93376000 | - | 1 |
| 2 | O-ring 13x1,5 | 98475000 | - | 1 |
| 3 | filter packing | 93378000 | - | 1 |
| 4 | handle | 93361000 | - | 1 |
| 5 | O-ring 35x1,5 | 92114000 | - | 1 |
| 6 | nut | 93363000 | - | 1 |
| 7 | cartridge, assy | 93185000 | - | 1 |
| 8 | seal | 95008000 | - | 1 |
| 9 | hexagon socket screw M6x16 | 92857000 | - | 1 |
| 10 | O-ring 9x1,5 | 98117000 | - | 1 |
| 11 | hexagon socket screw M10x35 | 97670000 | - | 1 |
| 12 | O-ring 44x2,5 | 98162000 | - | 1 |
| 13 | O-ring 29x3 | 98371000 | - | 1 |
| 14 | O-ring 7x2 | 98419000 | - | 1 |
| 15 | handshower | 04486000 | - | 1 |
| 16 | filter packing | 94246000 | - | 1 |
| 17 | shower hose 1,25 m | 28282000 | - | 1 |
| 18 | seal | 98058000 | - | 1 |
| 19 | set of non return valves DW 15 | 94074000 | - | 1 |
| 20 | selector | 97978000 | - | 1 |
| 21 | diverter knob | 93362000 | - | 1 |
| 22 | cover | 47901600 | - | 1 |
| 23 | extension set 60 mm | 97686000 | - | 1 |