

AXOR MyEdition
Freestanding Tub Filler Trim with 1.75 GPM Handshower
 Finish: **chrome / mirror glass** Part no. : **47440001**



Description

Features

- Plate of glass made of safety glass
- Spray type mixer: aerated spray
- Spray type hand shower: Full, IntenseRain
- Max. flow: 5.0 GPM (19 L/Min)
- Flow rate of hand shower at 3 bar: 1.75 GPM (6.6 L/Min)
- Ceramic cartridge
- Diverter with automatic resetting
- Integrated double backflow prevention

Item details

List Price \$ 3,255.00

Technology



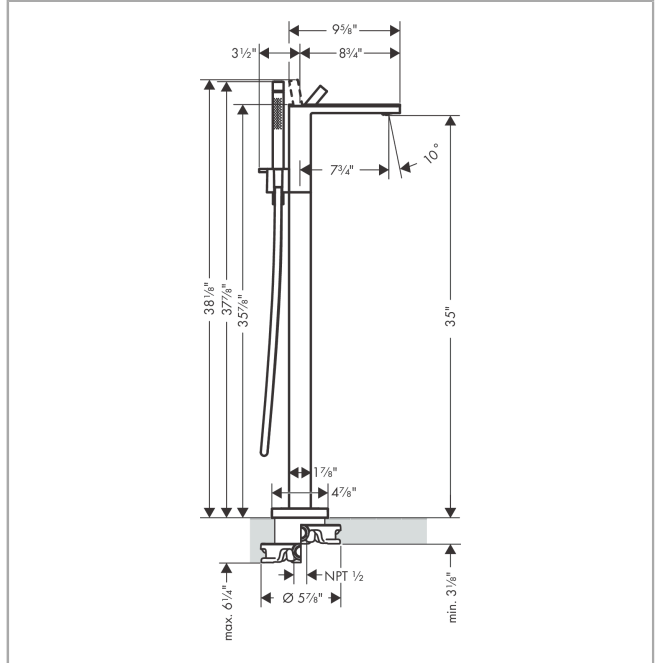
Compliance / Sustainability



Product image



Scale drawing

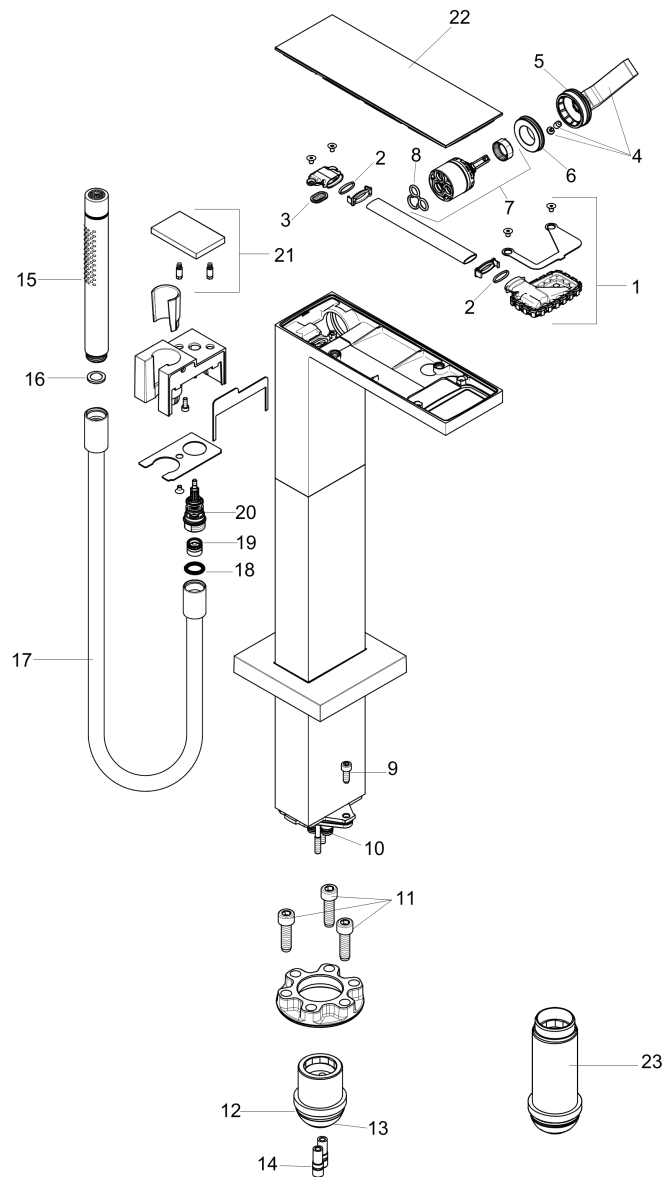


AXOR MyEdition
Freestanding Tub Filler Trim with 1.75 GPM Handshower
 Finish: **chrome / mirror glass** Part no. : **47440001**



Exploded drawing

Year of production: >02/19



AXOR MyEdition
Freestanding Tub Filler Trim with 1.75 GPM Handshower
 Finish: **chrome / mirror glass** Part no. : **47440001**



Spare parts list

Year of production: >02/19

Pos.	Description	Part no.	Price	PU
1	spray former	93376000	-	1
2	O-ring 13x1,5	98475000	-	1
3	filter packing	93378000	-	1
4	handle	93361000	-	1
5	O-ring 35x1,5	92114000	-	1
6	nut	93363000	-	1
7	cartridge, assy	93185000	-	1
8	seal	95008000	-	1
9	hexagon socket screw M6x16	92857000	-	1
10	O-ring 9x1,5	98117000	-	1
11	hexagon socket screw M10x35	97670000	-	1
12	O-ring 44x2,5	98162000	-	1
13	O-ring 29x3	98371000	-	1
14	O-ring 7x2	98419000	-	1
15	handshower	04486000	-	1
16	filter packing	94246000	-	1
17	shower hose 1,25 m	28282000	-	1
18	seal	98058000	-	1
19	set of non return valves DW 15	94074000	-	1
20	selector	97978000	-	1
21	diverter knob	93362000	-	1
22	cover	47901000	-	1
23	extension set 60 mm	97686000	-	1