

**AXOR MyEdition**

**4-Hole Roman Tub Set Trim with 1.75 GPM Handshower without Plate**

Finish: **chrome** Part no. : **47432001**



**Description**

**Features**

- Spray type mixer: aerated spray
- Spray type hand shower: IntenseRain, Rain
- Max. flow: 6.0 GPM (22.7 L/Min)
- Flow rate for bath spout at 3 bar: 6.0 GPM (22.7 L/Min)
- Flow rate of hand shower at 3 bar: 1.75 GPM (6.6 L/Min)
- Ceramic valves hot/cold 90°
- Diverter with automatic resetting
- Integrated double backflow prevention

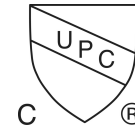
**Item details**

List Price \$ 2,719.00

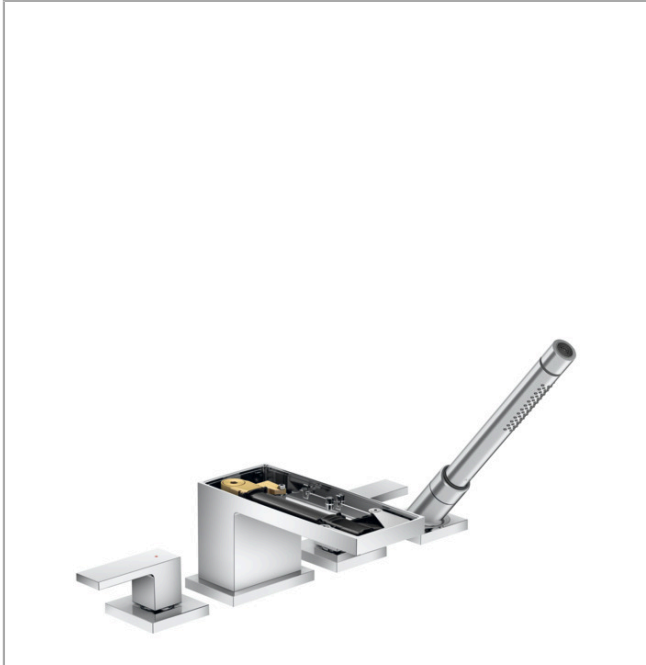
**Technology**



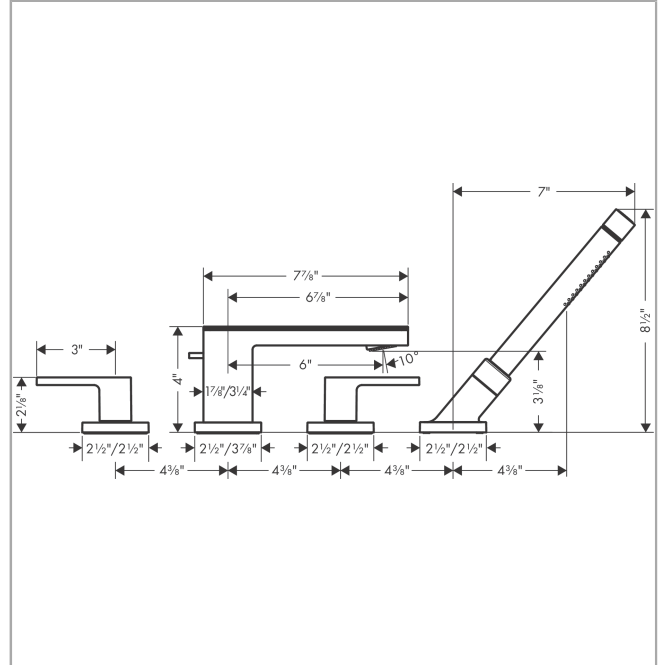
**Compliance / Sustainability**



**Product image**



**Scale drawing**

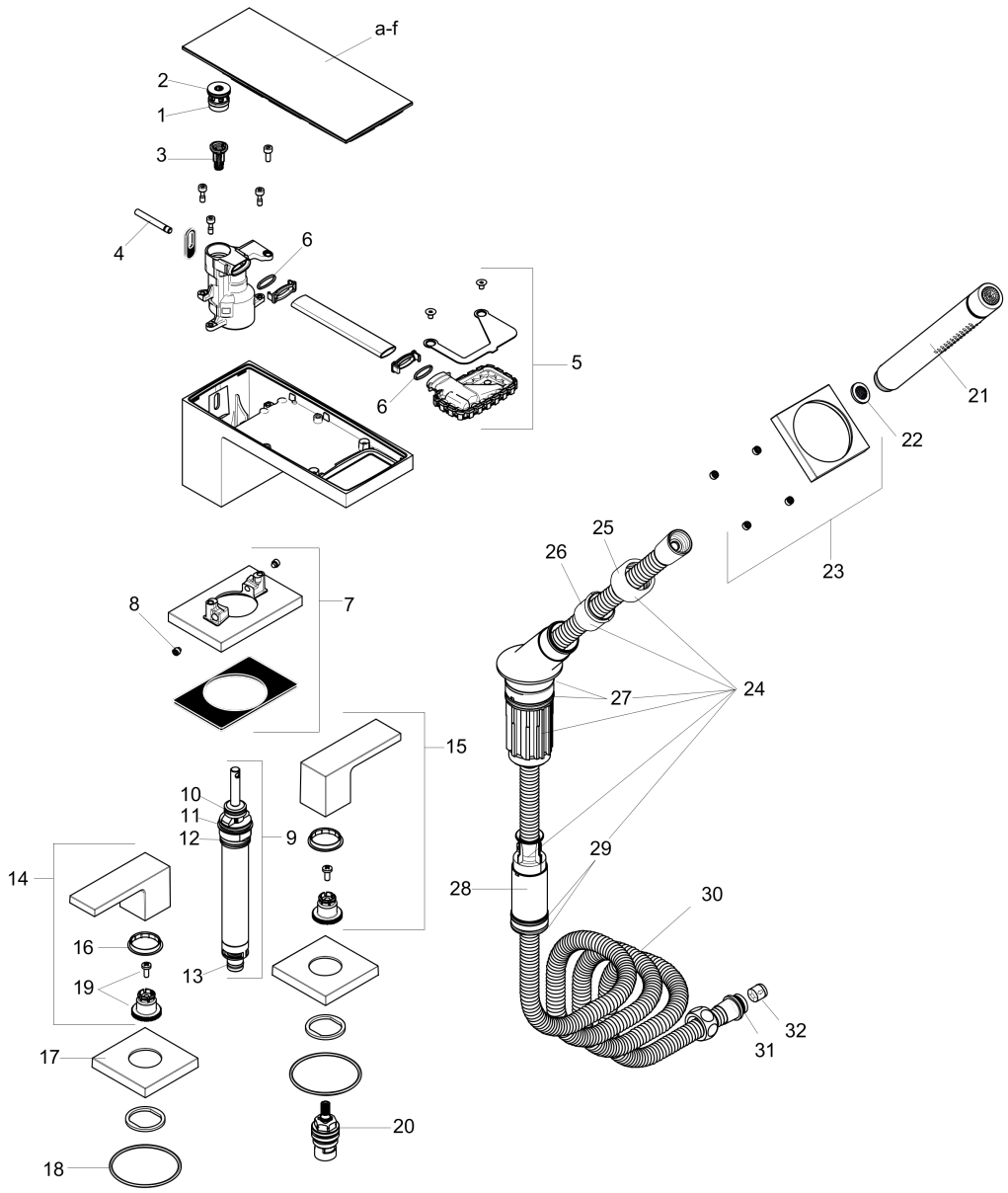


**AXOR MyEdition**  
**4-Hole Roman Tub Set Trim with 1.75 GPM Handshower without Plate**  
 Finish: **chrome** Part no. : **47432001**



**Exploded drawing**

Year of production: >02/19



## AXOR MyEdition

### 4-Hole Roman Tub Set Trim with 1.75 GPM Handshower without Plate

Finish: **chrome** Part no. : **47432001**



#### Spare parts list

Year of production: >02/19

Pos.	Description	Part no.	Price	PU
1	service unit	93369000	-	1
2	O-ring 17x1,5	98137000	-	1
3	filter insert	97708000	-	1
4	diverter knob	98707000	-	1
5	spray former	93376000	-	1
6	O-ring 13x1,5	98475000	-	1
7	escutcheon for spout	93368000	-	1
8	hollow set screw M6x6	97660000	-	1
9	selector assy	96775000	-	1
10	O-Ring 14x2,5	98189000	-	1
11	O-Ring 23x2,5	98183000	-	1
12	O-Ring 22x2	98185000	-	1
13	O-ring 9x2,5	98217000	-	1
14	handle for hot water	93364000	-	1
15	handle for cold water	93365000	-	1
16	set of color-rings cold / hot water	95819000	-	1
17	escutcheon for handle	93366000	-	1
18	O-ring 56x2	98468000	-	1
19	handle fixing set	94184000	-	1
20	shut off unit left closing	94008000	-	1
21	handshower	04486000	-	1
22	filter packing	94246000	-	1
23	escutcheon for shower holder	93367000	-	1
24	shower holder, assy	95996000	-	1
25	nut	97584000	-	1
26	insert for shower holder	96942000	-	1
27	O-ring 38x2,5	98198000	-	1
28	hose brake	98656000	-	1
29	O-Ring 28x2	98194000	-	1
30	shower hose 2,00 m	94148000	-	1
31	O-ring 11x2	98127000	-	1
32	set of non return valves DW 15	94074000	-	1
a	cover	47906000	-	1
b	cover	47909000	-	1
c	cover	47913000	-	1
d	cover	47916000	-	1
e	cover	47903000	-	1
f	cover	47900000	-	1