

AXOR MyEdition
Wall-Mounted Single-Handle Faucet Trim, 1.2 GPM, without Pop-up Drain
 Finish: **chrome / mirror glass** Part no. : **47060001**



Description

Features

- Handle variant: Lever
- Plate of glass made of safety glass
- Spray modes: PowderRain
- Max. flow: 1.2 GPM (4.5 L/Min)
- Ceramic cartridge

Item details

List Price \$ 970.00

Technology



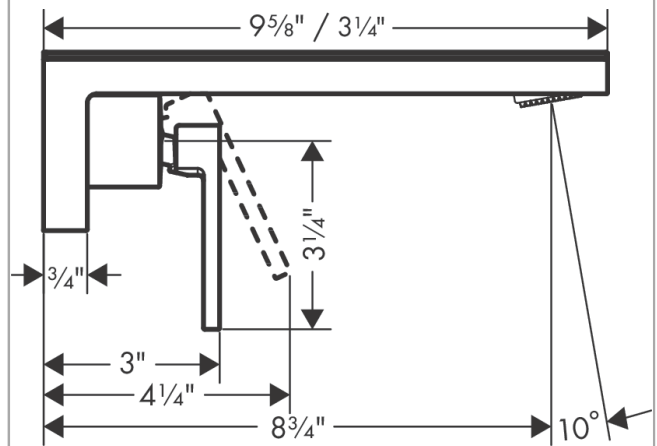
Compliance / Sustainability



Product image



Scale drawing

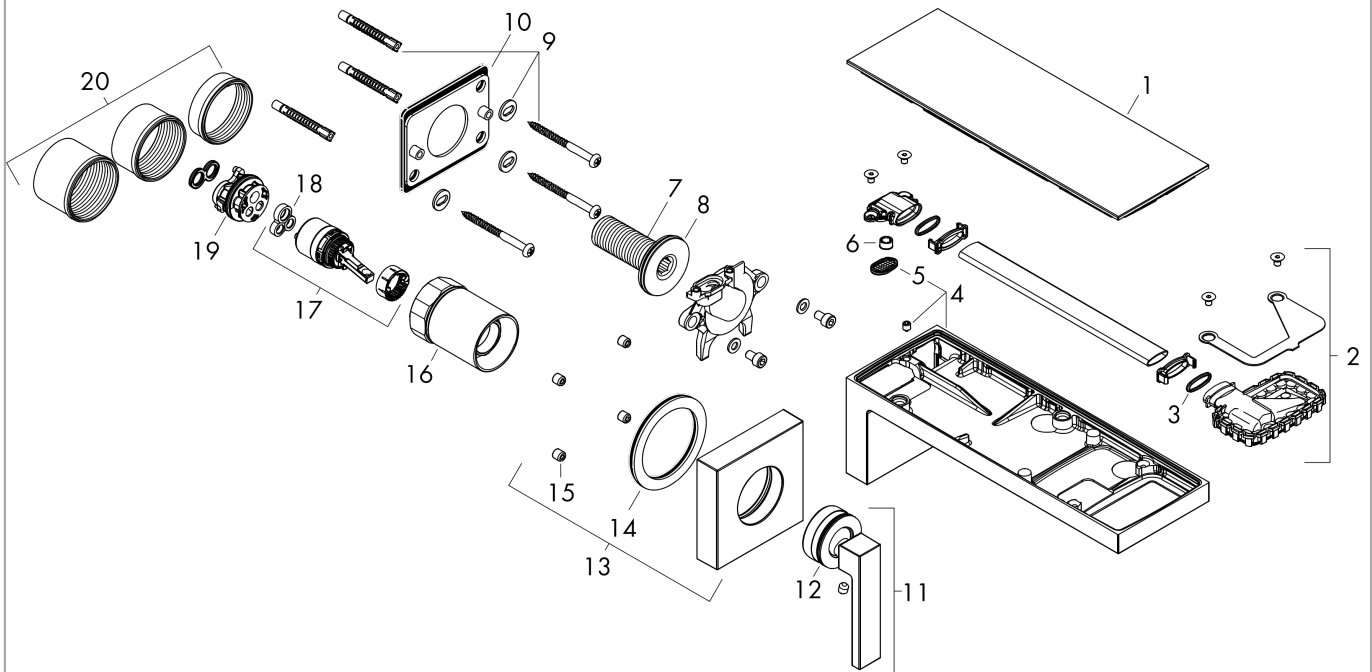


AXOR MyEdition
Wall-Mounted Single-Handle Faucet Trim, 1.2 GPM, without Pop-up Drain
 Finish: chrome / mirror glass Part no. : 47060001



Exploded drawing

Year of production: >02/19



AXOR MyEdition
Wall-Mounted Single-Handle Faucet Trim, 1.2 GPM, without Pop-up Drain
 Finish: **chrome / mirror glass** Part no. : **47060001**



Spare parts list

Year of production: >02/19

Pos.	Description	Part no.	Price	PU
1	cover	47901000	-	1
2	spray former	93385000	-	1
3	O-ring 13x1,5	98475000	-	1
4	spout 220 mm	93370000	-	1
5	filter packing	93374000	-	1
6	flow limiter (5 l/min)	95311000	-	1
7	connecting thread G½	93387000	-	1
8	O-ring 36x2	98156000	-	1
9	mounting set	96179000	-	1
10	null	93925000	-	1
11	handle	93372000	-	1
12	O-ring 33x1,5	98164000	-	1
13	escutcheon for handle	93371000	-	1
14	washer	97600000	-	1
15	screw cover	96762000	-	1
16	sleeve	93373000	-	1
17	cartridge, assy	92900000	-	1
18	seal	93383000	-	1
19	O-ring 26x2	98147000	-	1
20	fixing set	97971000	-	1
a	extension 25 mm	13586000	-	1
b	null	93407000	-	1