

AXOR One
Thermostatic Module Rough, without Service Stops
 Finish: Part no. : **45710181**



Description

Features

- 2 inlets / 4 outlets
- Connection thread: 1/2" NPT
- Sound-decoupled installation
- Minimum mounting depth: 3.15"
- Maximum mounting depth: 4.25"

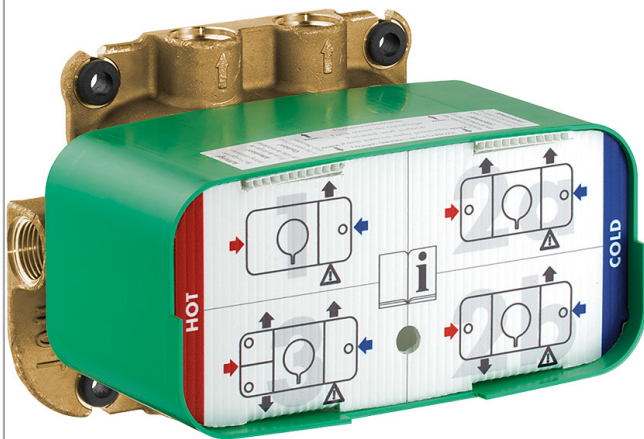
Item details

List Price \$ 425.00

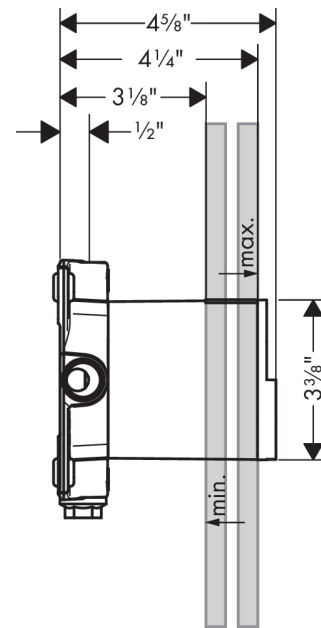
Compliance / Sustainability



Product image



Scale drawing

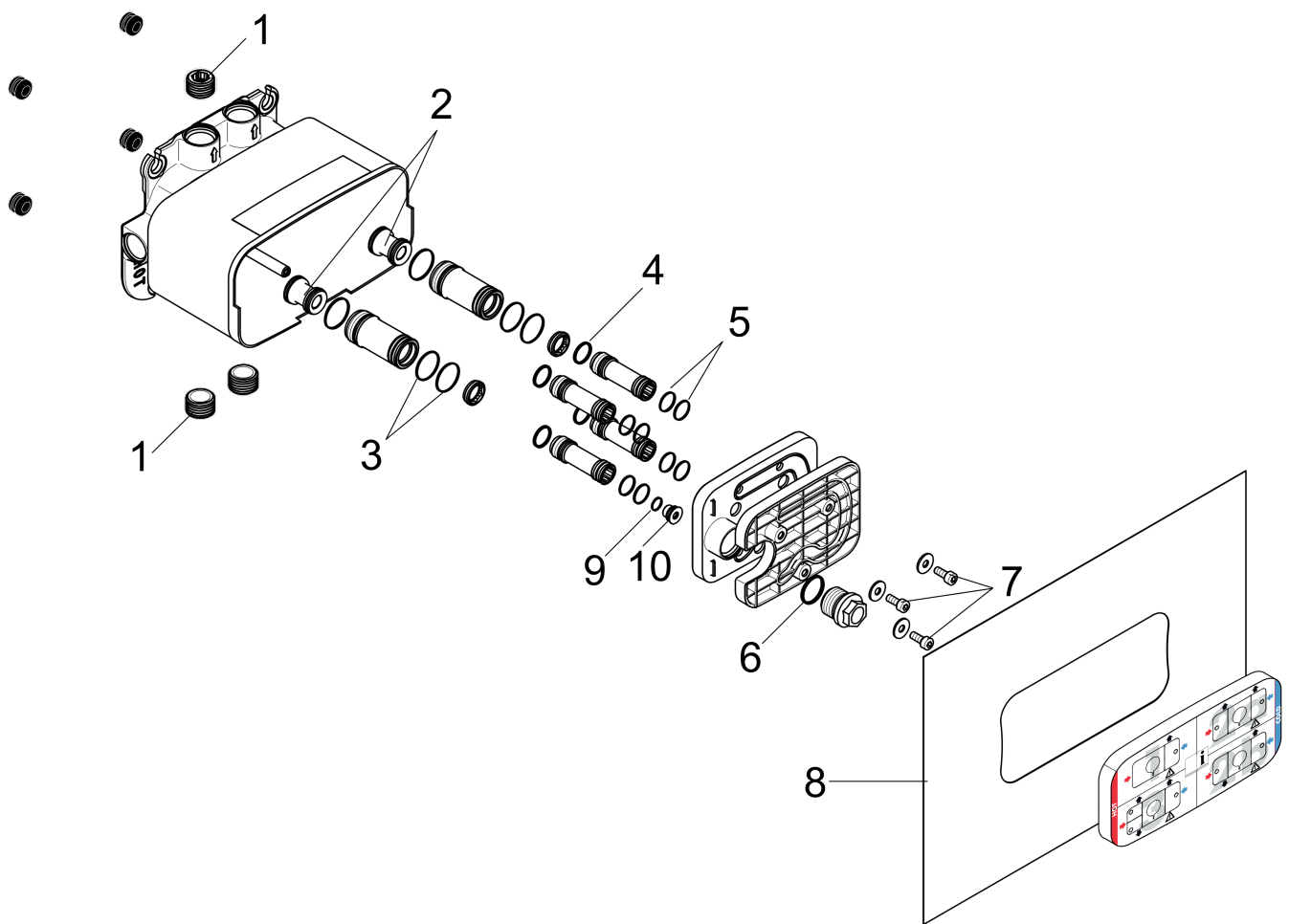


AXOR One
Thermostatic Module Rough, without Service Stops
 Finish: Part no. : 45710181



Exploded drawing

Year of production: >07/16



AXOR One
Thermostatic Module Rough, without Service Stops
 Finish: Part no. : **45710181**



Spare parts list

Year of production: >07/16

Pos.	Description	Part no.	Price	PU
1	plug	97998001	-	1
2	noise reduction	96429000	-	1
3	O-ring 20x1,5	98197000	-	1
4	O-ring 13x2	98128000	-	1
5	O-ring 12x1,5	98430000	-	1
6	O-ring 18x2	98181000	-	1
7	hexagon socket screw M5x12	98639000	-	1
8	sealing foil	92565000	-	1
9	O-ring 9x1,5	98117000	-	1
10	plug	93017000	-	1
a	flushing unit complete	93160000	-	1