

Rough, Thermostatic Trim Exposed/Concealed Installation for 2 Functions, without Service Stops

Finish: Part no. : **45442181**



Description

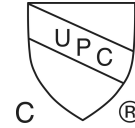
Features

- Sound-decoupled installation
- Minimum mounting depth: 1.8"
- Maximum mounting depth: 2.91"

Item details

List Price \$ 196.00

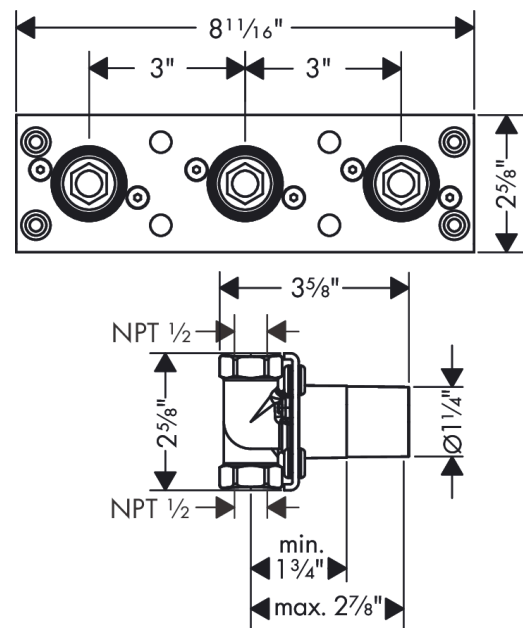
Compliance / Sustainability



Product image



Scale drawing



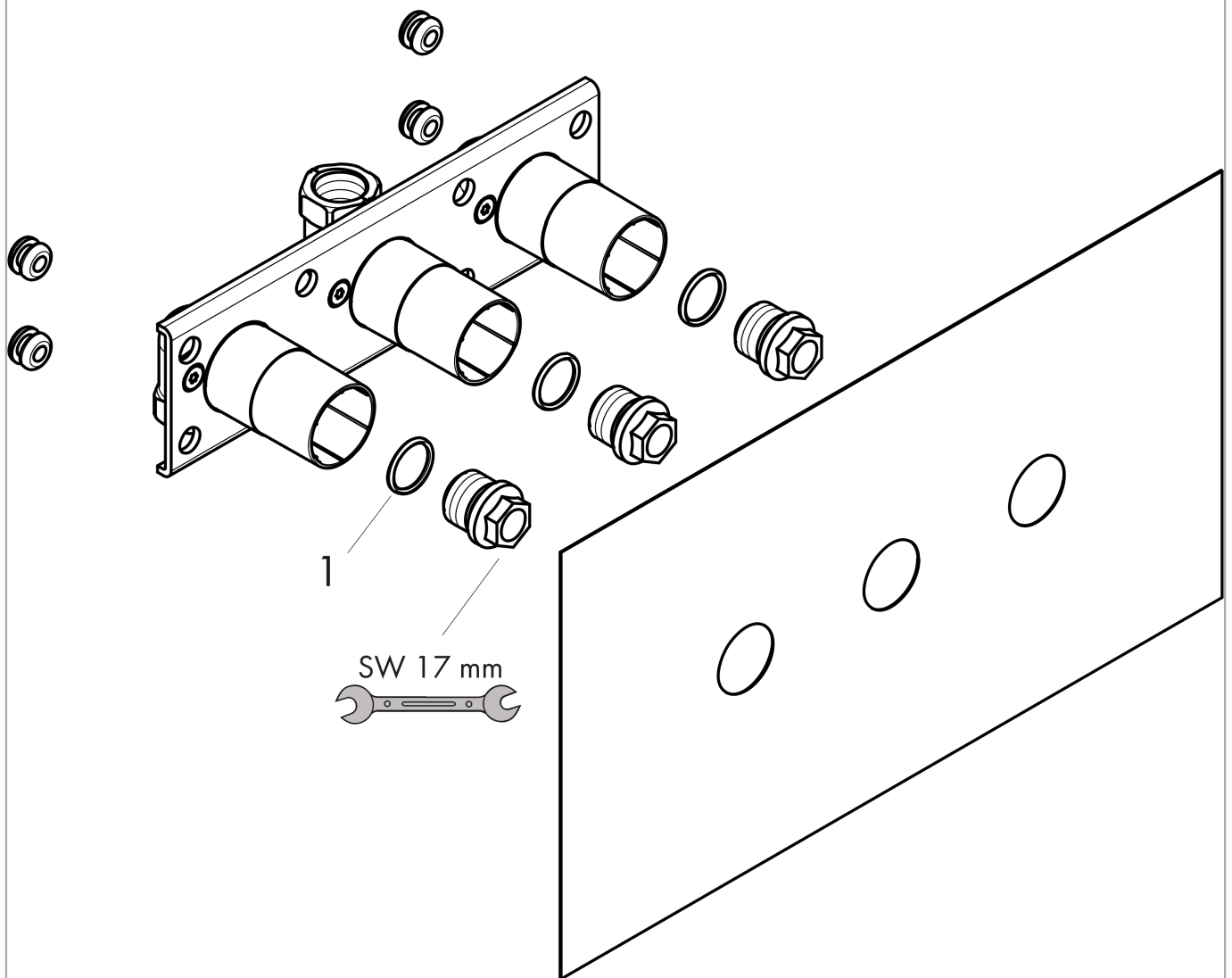
Rough, Thermostatic Trim Exposed/Concealed Installation for 2 Functions, without Service Stops

Finish: Part no. : **45442181**



Exploded drawing

Year of production: >01/20



Rough, Thermostatic Trim Exposed/Concealed Installation for 2 Functions, without Service Stops

Finish: Part no. : **45442181**



Spare parts list

Year of production: >01/20

Pos.	Description	Part no.	Price	PU
1	O-ring 18x2	98181000	-	1