

**AXOR Universal Circular
Tissue Box**
Finish: **chrome** Part no. : **42873000**



Description

Features

- Wall-mounted
- Fastens with screws
- Metal, Plastic
- With mounting material
- Concealed fastening
- Diameter of drilled hole: 0.23"

Item details

List Price \$ 189.00

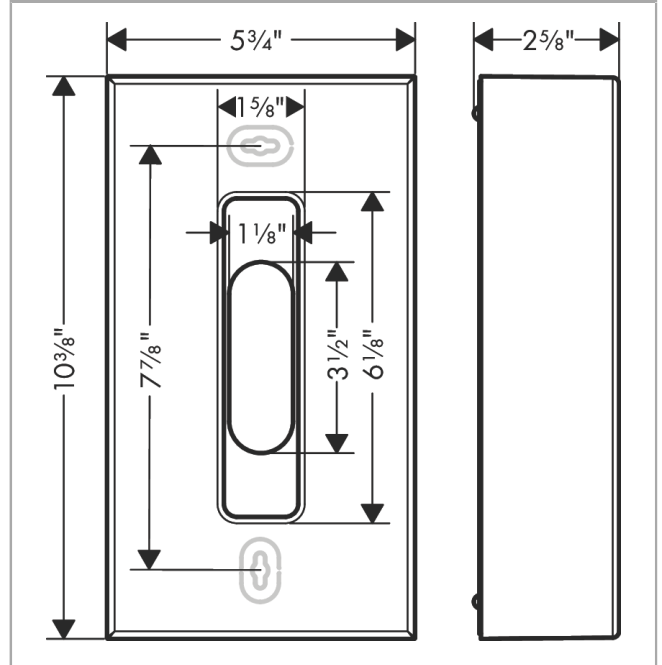
Compliance / Sustainability



Product image



Scale drawing

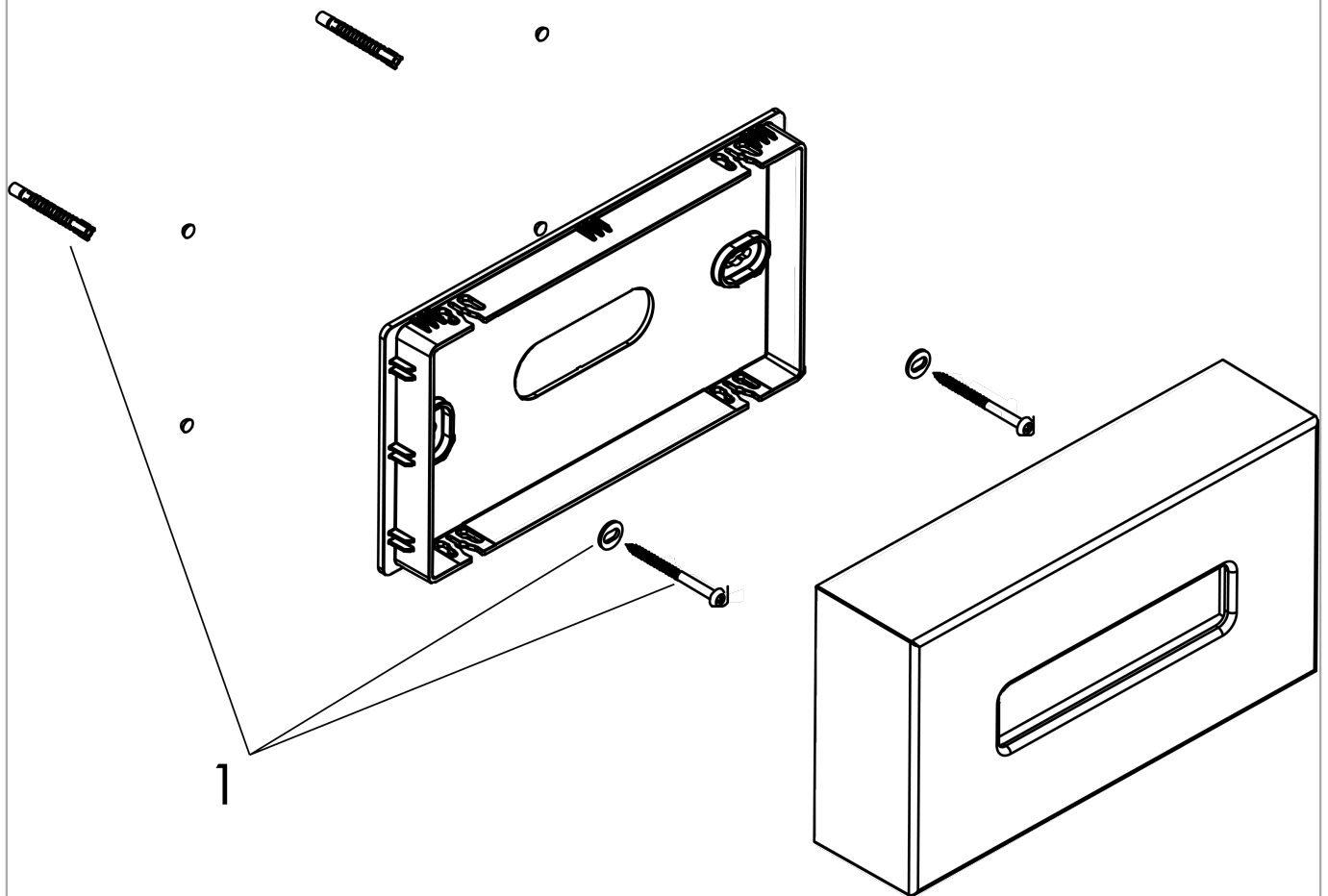


**AXOR Universal Circular
Tissue Box**
Finish: **chrome** Part no. : **42873000**



Exploded drawing

Year of production: >10/21



**AXOR Universal Circular
Tissue Box**
Finish: **chrome** Part no. : **42873000**



Spare parts list

Year of production: >10/21

Pos.	Description	Part no.	Price	PU
1	mounting set	96179000	-	1