

**AXOR Universal Circular
Double Toilet Paper Holder**
Finish: **chrome** Part no. : **42857000**



Description

Features

- Wall-mounted
- Metal
- With mounting material
- Concealed fastening
- Diameter of drilled hole: 0.23"
- Holds 2 rolls

Item details

List Price \$ 249.00

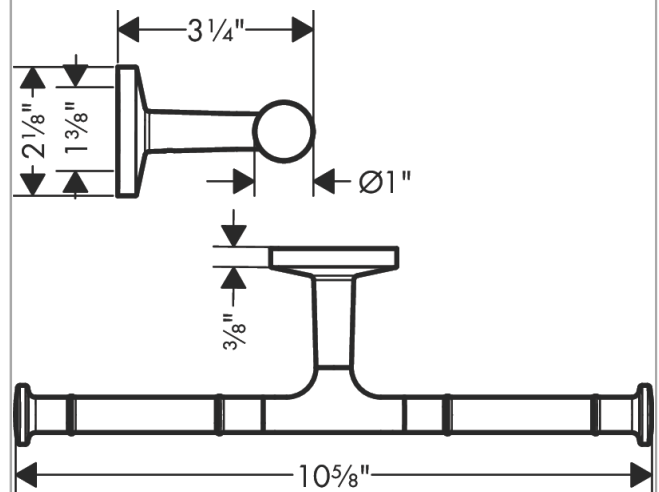
Compliance / Sustainability



Product image



Scale drawing

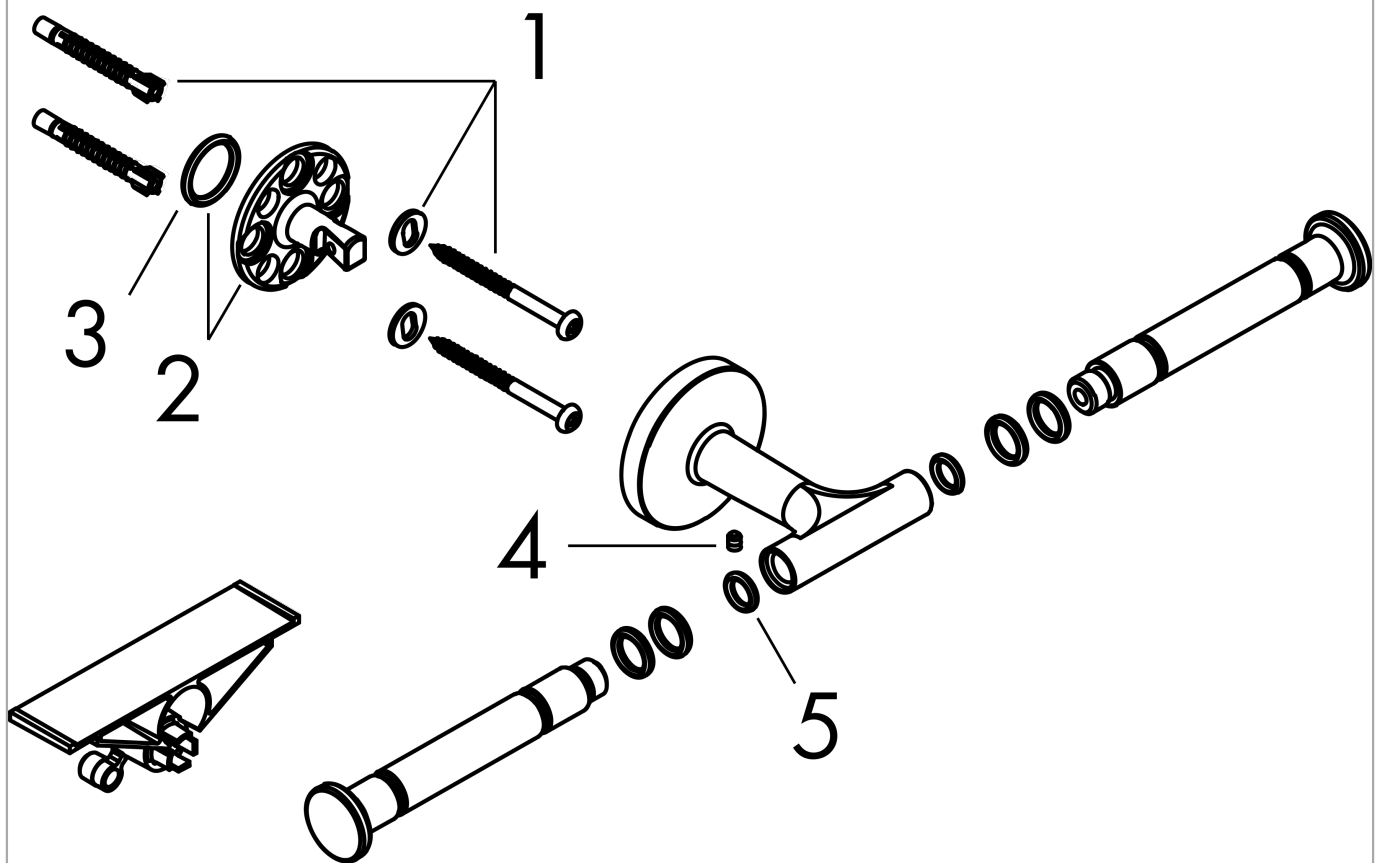


**AXOR Universal Circular
Double Toilet Paper Holder**
Finish: **chrome** Part no. : **42857000**



Exploded drawing

Year of production: >10/21



**AXOR Universal Circular
Double Toilet Paper Holder**
Finish: **chrome** Part no. : **42857000**



Spare parts list

Year of production: >10/21

Pos.	Description	Part no.	Price	PU
1	mounting set	96179000	-	1
2	support element	94428000	-	1
3	O-ring 18x2,5	98139000	-	1
4	hollow set screw M4x5	98731000	-	1
5	O-Ring 8x2,5	93236000	-	1