

**AXOR Universal Softsquare  
Toilet Paper Holder without Cover**  
Finish: **chrome** Part no. : **42846000**



**Description**

**Features**

- Wall-mounted
- Metal
- With mounting material
- Concealed fastening
- Diameter of drilled hole: 0.23"

**Item details**

List Price \$ 286.00

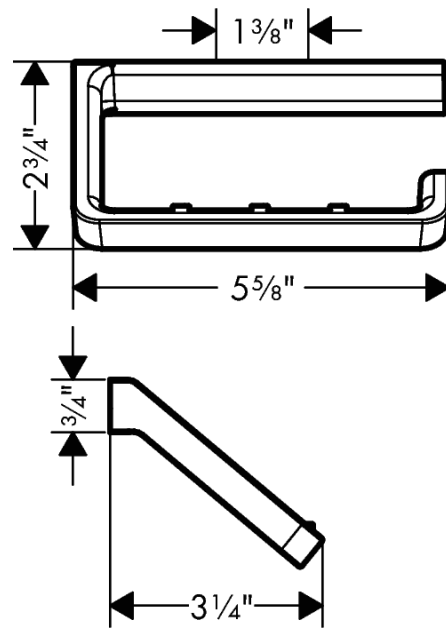
**Compliance / Sustainability**



**Product image**



**Scale drawing**

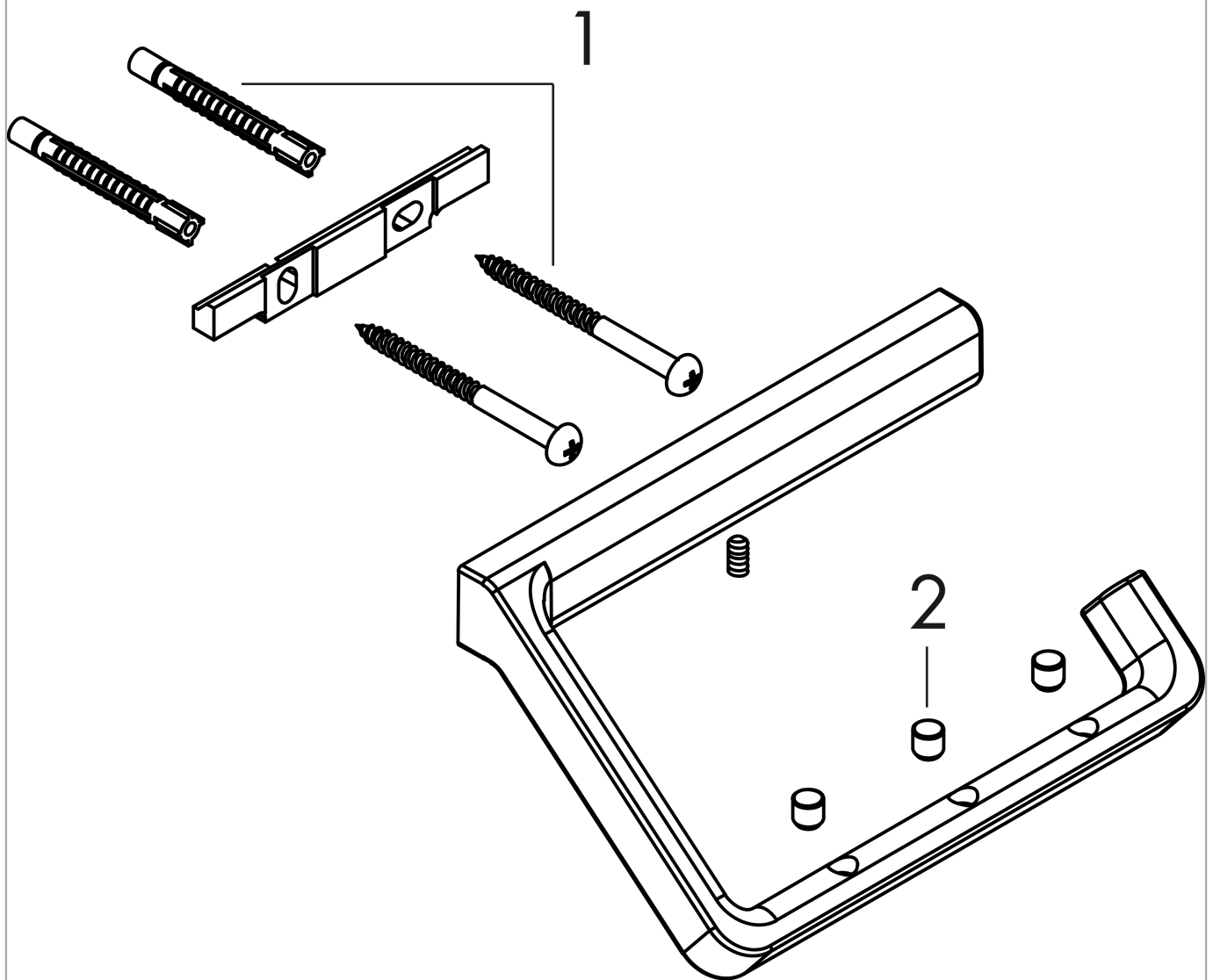


**AXOR Universal Softsquare**  
**Toilet Paper Holder without Cover**  
 Finish: **chrome** Part no. : **42846000**



Exploded drawing

Year of production: >06/17



**AXOR Universal Softsquare**  
**Toilet Paper Holder without Cover**  
 Finish: **chrome** Part no. : **42846000**



**Spare parts list**

Year of production: >06/17

Pos.	Description	Part no.	Price	PU
1	mounting set	40915000	-	1
2	screw cover	96762000	-	1