

**AXOR Universal Softsquare Shelf 6"**

Finish: **brushed nickel** Part no. : **42840820**



**Description**

**Features**

- Wall-mounted
- Adaptor set #42870XXX must be used when installing on a rail
- Mounting possible with toilet paper roll holder #42836XXX (adaptor #42870XXX necessary)
- Material frame: solid Brass
- Material shelf: Safety glass
- With mounting material
- Concealed fastening
- Diameter of drilled hole: 0.23"
- Suitable for installation inside shower compartment

**Item details**

List Price \$ 378.00

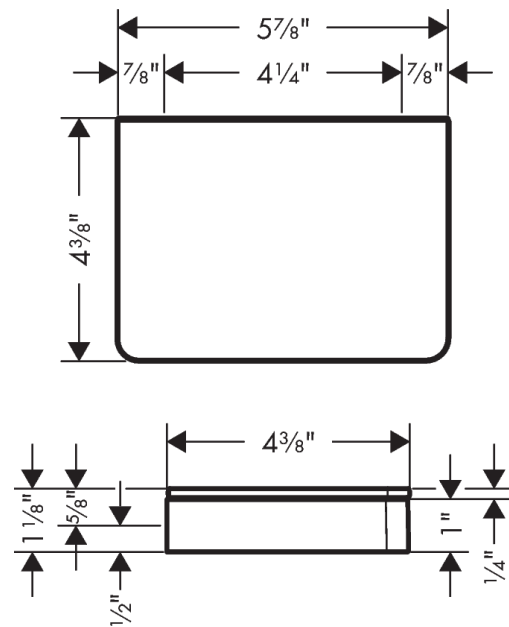
**Compliance / Sustainability**



**Product image**



**Scale drawing**



**AXOR Universal Softsquare**

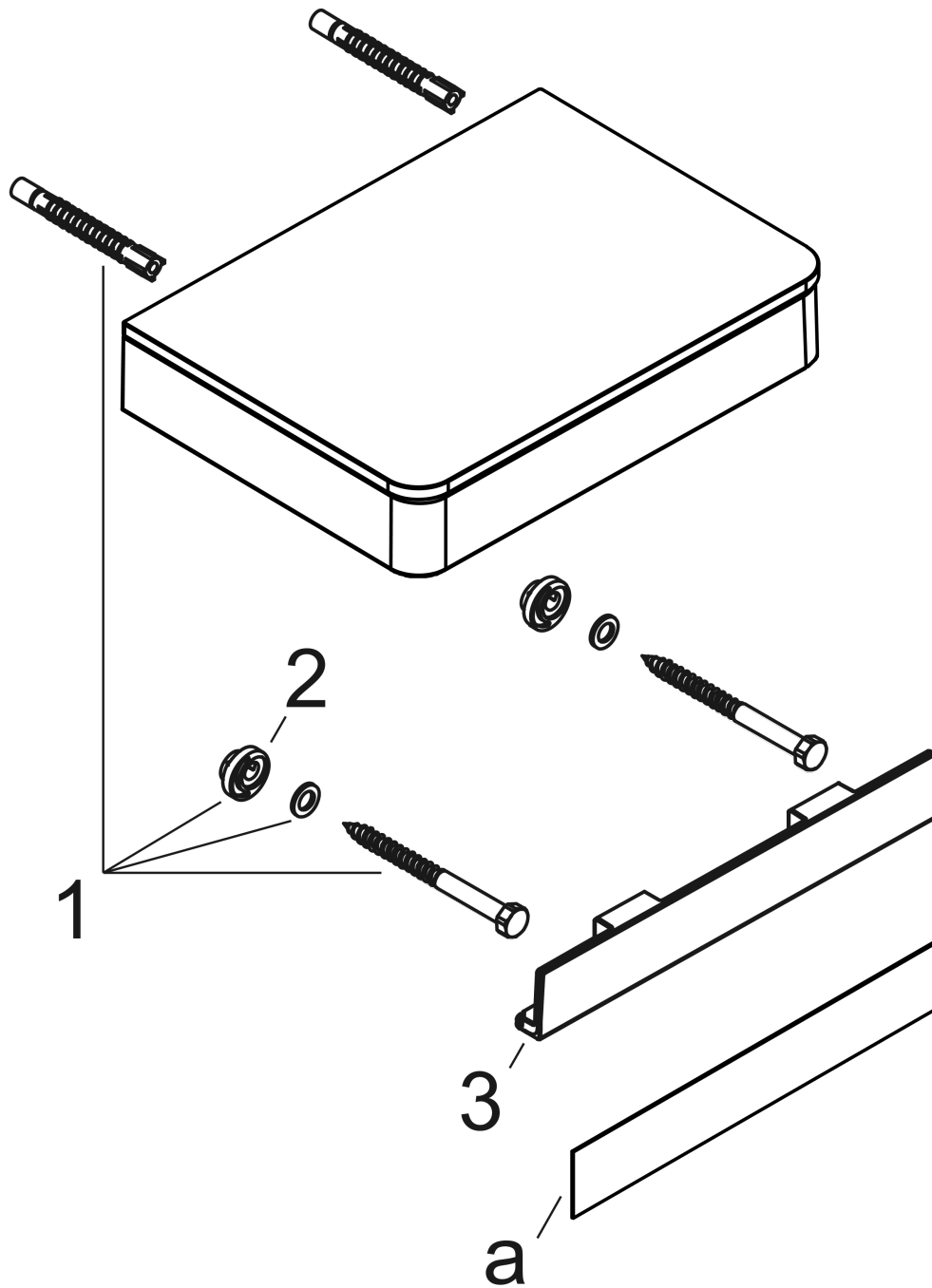
**Shelf 6"**

Finish: **brushed nickel** Part no. : **42840820**



**Exploded drawing**

Year of production: >06/17



**AXOR Universal Softsquare  
Shelf 6"**

Finish: **brushed nickel** Part no. : **42840820**



**Spare parts list**

Year of production: >06/17

Pos.	Description	Part no.	Price	PU
1	mounting set	92841000	-	1
2	excentric socket	97604000	-	1
3	cover	92427820	-	1
a	cover	42890820	-	1