

**AXOR Universal Softsquare Soap Dish**  
 Finish: **chrome** Part no. : **42803000**



**Description**

**Features**

- Wall-mounted
- Adaptor set #42870XXX must be used when installing on a rail
- Mounting possible with toilet paper roll holder #42836XXX (adaptor #42870XXX necessary)
- Material recess: Ceramic
- With mounting material
- Concealed fastening
- Diameter of drilled hole: 0.23"

**Item details**

List Price \$ 292.00

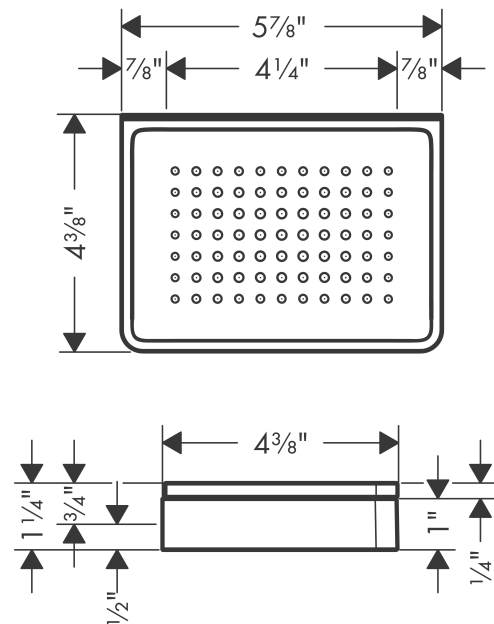
**Compliance / Sustainability**



**Product image**



**Scale drawing**

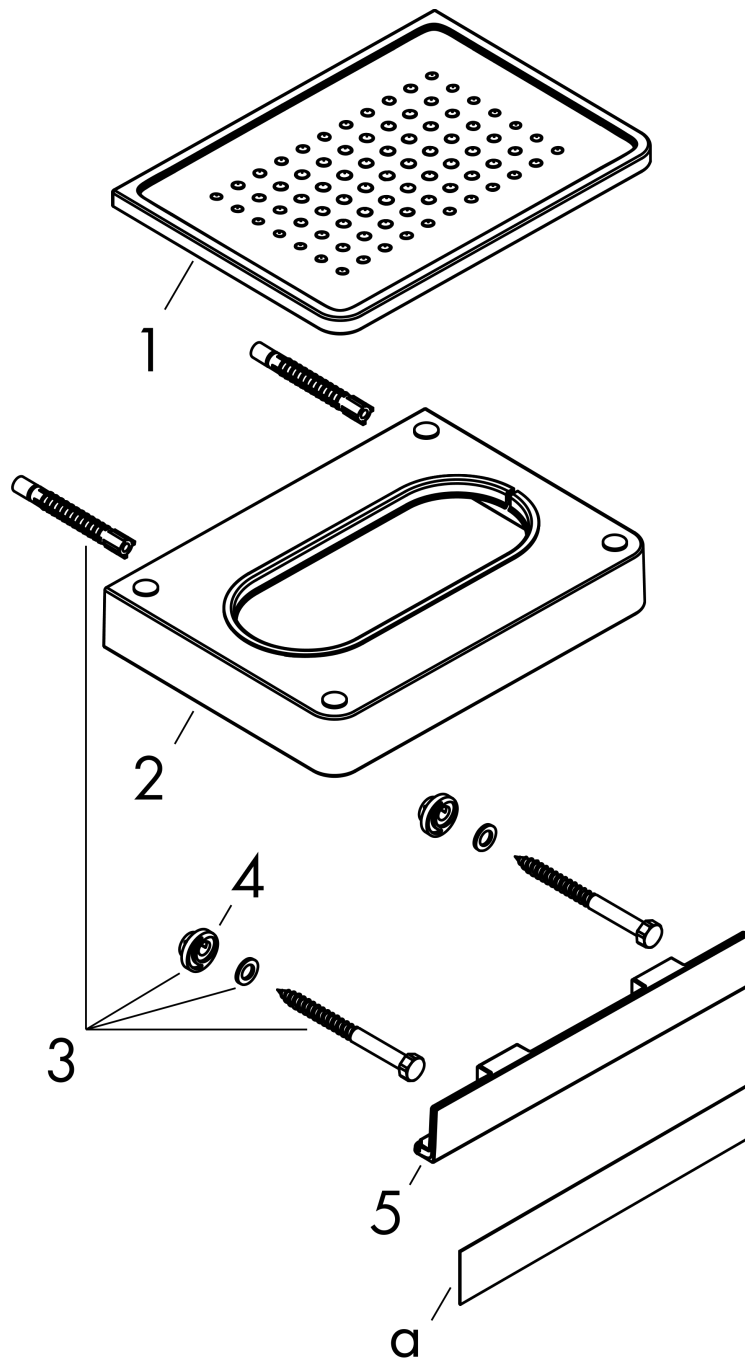


AXOR Universal Softsquare  
 Soap Dish  
 Finish: chrome Part no. : 42803000



Exploded drawing

Year of production: >11/14



**AXOR Universal Softsquare**  
**Soap Dish**  
 Finish: **chrome** Part no. : **42803000**



**Spare parts list**

Year of production: >11/14

Pos.	Description	Part no.	Price	PU
1	soap recess	92429000	-	1
2	support element	92424000	-	1
3	mounting set	92841000	-	1
4	excentric socket	97604000	-	1
5	cover	92427000	-	1
a	cover	42890000	-	1
b	set of adapters	42870000	-	1
c	set of covers	42871000	-	1
d	mounting kit for two-sided glass montage	42841000	-	1