

**Soap Dispenser**

Finish: **chrome** Part no. : **40418000**



**Description**

**Features**

- Type of soap: liquid soap
- Bottle capacity 10 oz
- Contactless

**Item details**

List Price \$ 225.00

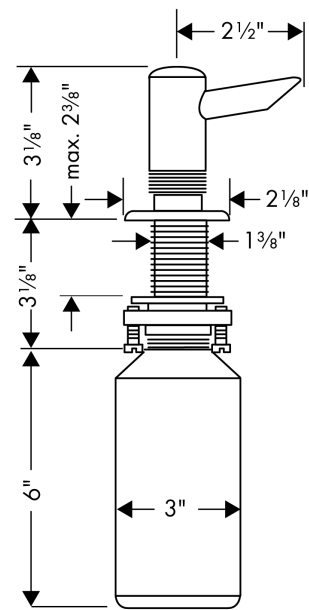
**Compliance / Sustainability**



**Product image**



**Scale drawing**



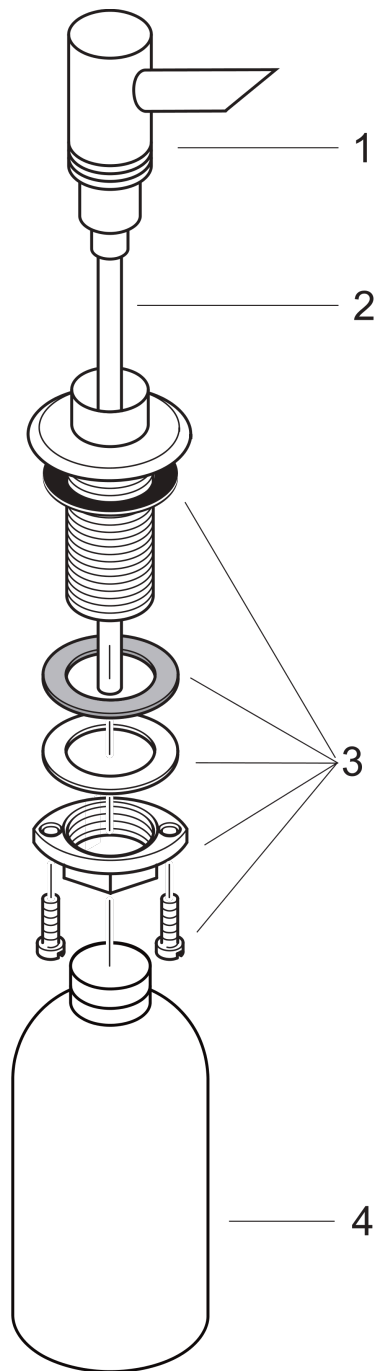
**Soap Dispenser**

Finish: **chrome** Part no. : **40418000**



**Exploded drawing**

Year of production: >**05/95**



**Soap Dispenser**

Finish: **chrome** Part no. : **40418000**



**Spare parts list**

Year of production: >**05/95**

Pos.	Description	Part no.	Price	PU
1	pump	94182000	-	1
2	pipe 200 mm	97365000	-	1
3	fixing set (Ø 32)	13961000	-	1
4	bottle for lotion dispenser	94418000	-	1