

AXOR Citterio
Wall-Mounted Single-Handle Faucet Trim- Rhombic Cut, 1.2 GPM, without Pop-up Drain
 Finish: **chrome** Part no. : **39181001**



Description

Features

- Handle variant: Lever
- Spray modes: aerated spray
- Max. flow: 1.2 GPM (4.5 L/Min)
- Ceramic cartridge

Item details

List Price \$ 1,221.00

Technology



Design awards



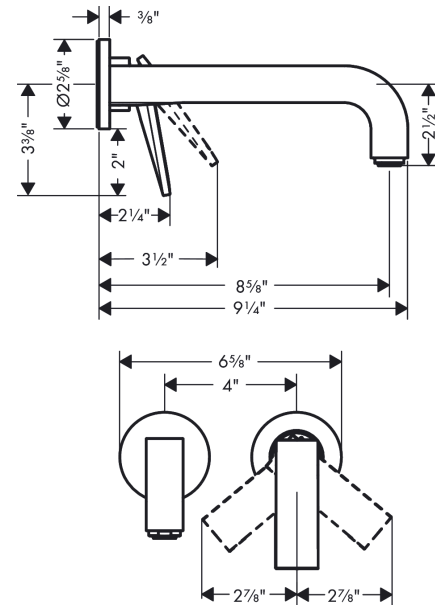
Compliance / Sustainability



Product image



Scale drawing

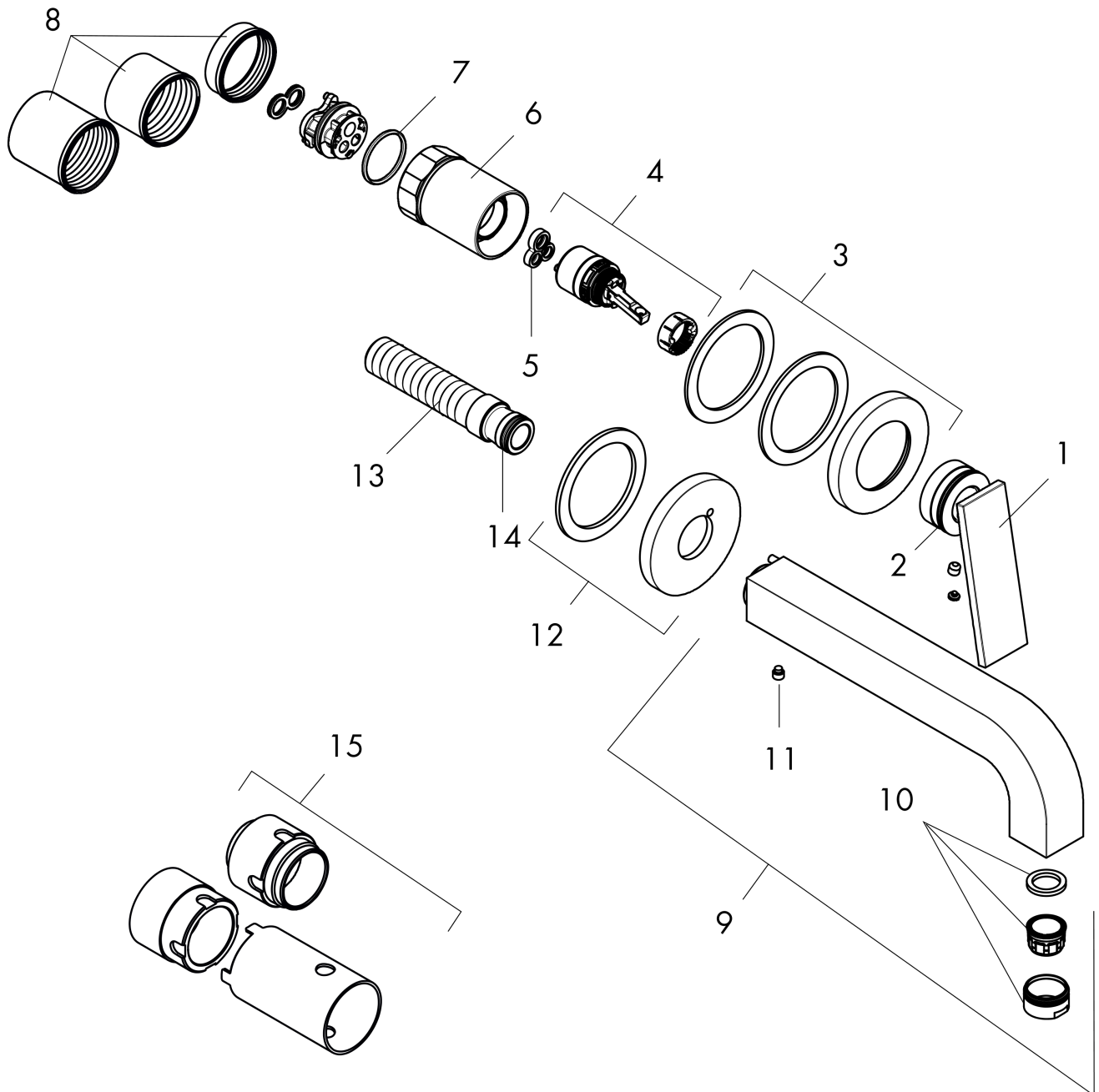


AXOR Citterio
Wall-Mounted Single-Handle Faucet Trim- Rhombic Cut, 1.2 GPM, without Pop-up Drain
 Finish: **chrome** Part no. : **39181001**



Exploded drawing

Year of production: >08/21



AXOR Citterio
Wall-Mounted Single-Handle Faucet Trim- Rhombic Cut, 1.2 GPM, without Pop-up Drain
 Finish: **chrome** Part no. : **39181001**



Spare parts list

Year of production: >08/21

Pos.	Description	Part no.	Price	PU
1	handle	94321000	-	1
2	O-ring 33x1,5	98164000	-	1
3	escutcheon for handle	96909000	-	1
4	cartridge, assy	92900000	-	1
5	seal	93383000	-	1
6	sleeve	93373000	-	1
7	O-ring 26x2	98147000	-	1
8	fixing set	97971000	-	1
9	spout 220 mm	97239000	-	1
10	aerator M24x1 (4,5 l/min)	92877000	-	1
11	hollow set screw M6x6	97660000	-	1
12	escutcheon	98720000	-	1
13	connecting thread G½	97228000	-	1
14	O-ring 16x2,5	98134000	-	1
15	extension 25 mm	13586000	-	1