

**AXOR Citterio**  
**Wall-Mounted Single-Handle Faucet Trim with Base Plate- Rhombic Cut, 1.2 GPM, without Pop-up Drain**



Finish: **chrome** Part no. : **39171001**

**Description**

**Features**

- Consists of: single lever basin mixer for concealed installation wall-mounted
- Handle variant: Lever
- Spray modes: aerated spray
- Max. flow: 1.2 GPM (4.5 L/Min)
- Ceramic cartridge

**Item details**

List Price \$ 1,474.00

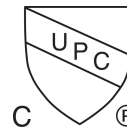
**Technology**



**Design awards**



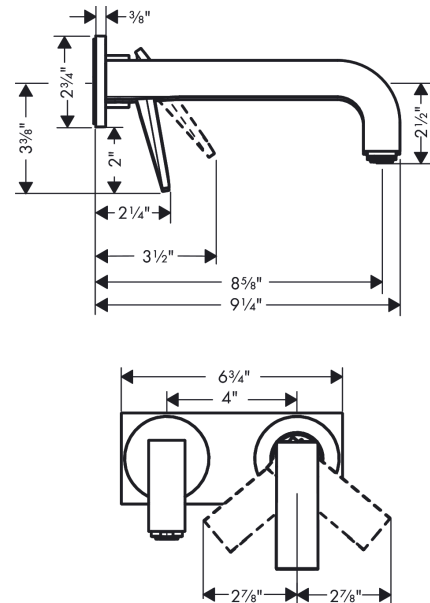
**Compliance / Sustainability**



**Product image**



**Scale drawing**

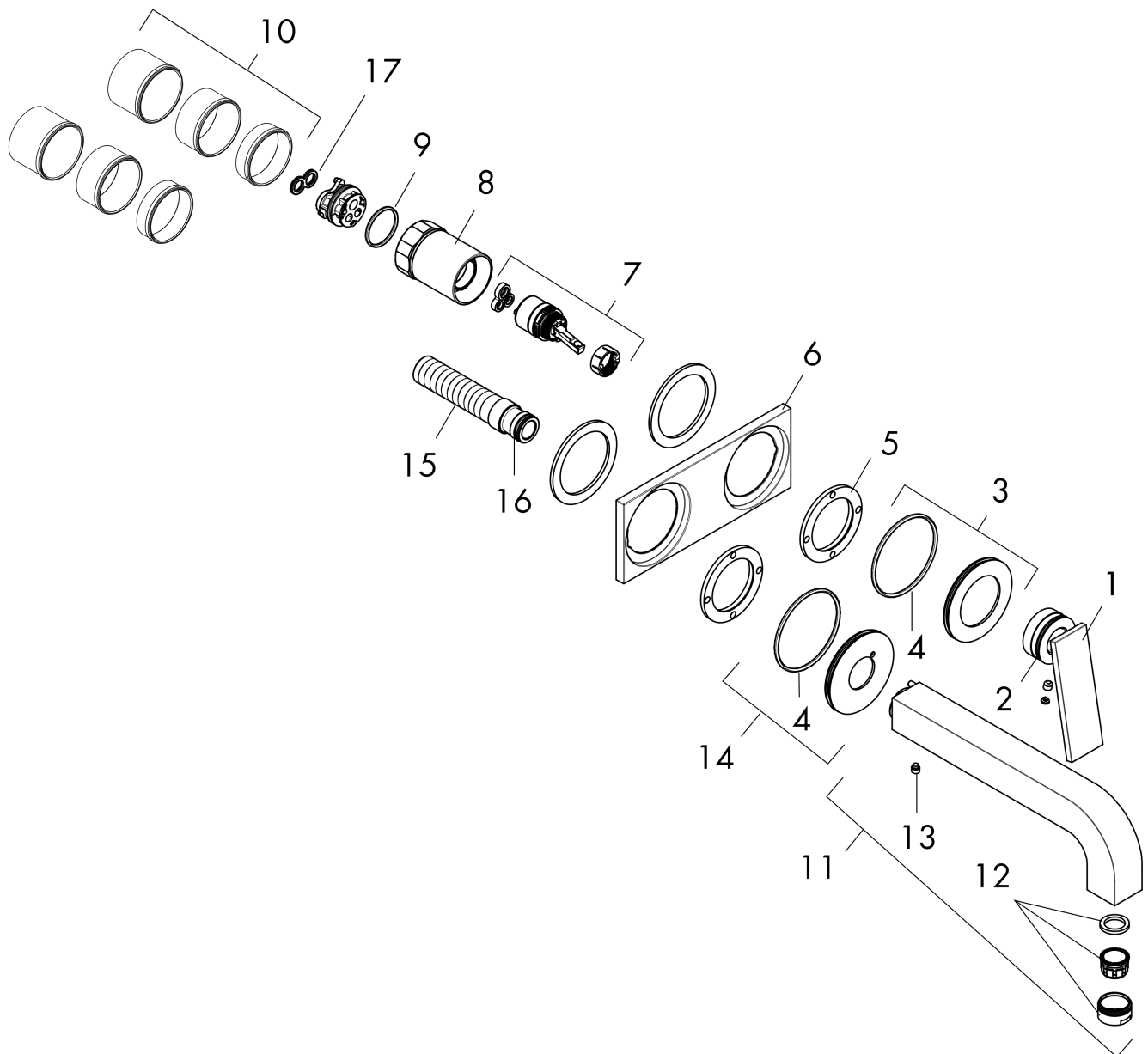


**AXOR Citterio**  
**Wall-Mounted Single-Handle Faucet Trim with Base Plate- Rhombic Cut, 1.2 GPM, without Pop-up Drain**  
 Finish: **chrome** Part no. : **39171001**



Exploded drawing

Year of production: >08/21



## AXOR Citterio

Wall-Mounted Single-Handle Faucet Trim with Base Plate- Rhombic Cut, 1.2 GPM, without Pop-up Drain

Finish: **chrome** Part no. : **39171001**



### Spare parts list

Year of production: >08/21

Pos.	Description	Part no.	Price	PU
1	handle	94321000	-	1
2	O-ring 33x1,5	98164000	-	1
3	escutcheon for handle	96912000	-	1
4	O-ring 57x2,5	98394000	-	1
5	nut	97601000	-	1
6	escutcheon	96914000	-	1
7	cartridge, assy	92900000	-	1
8	sleeve	93373000	-	1
9	O-ring 26x2	98147000	-	1
10	fixing set	97971000	-	1
11	spout 220 mm	97239000	-	1
12	aerator M24x1 (4,5 l/min)	92877000	-	1
13	hollow set screw M6x6	97660000	-	1
14	escutcheon for spout	97695000	-	1
15	connecting thread G½	97228000	-	1
16	O-ring 16x2,5	98134000	-	1
17	seal	93383000	-	1
a	extension 25 mm	13586000	-	1