

**AXOR ShowerSolutions**

**Wall Outlet with Handshower Holder, Round**

Finish: **brushed black chrome** Part no. : **36733341**



**Description**

**Features**

- Metal housing with internal water supply made of plastic
- 1/2" NPT
- For shower hoses with a conical nut

**Item details**

List Price \$ 429.00

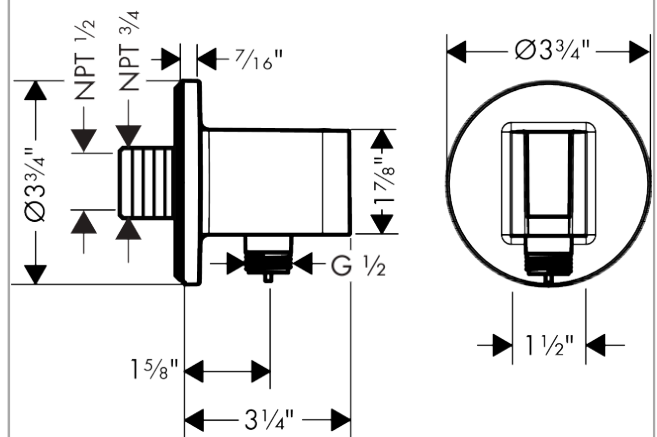
**Compliance / Sustainability**



**Product image**



**Scale drawing**

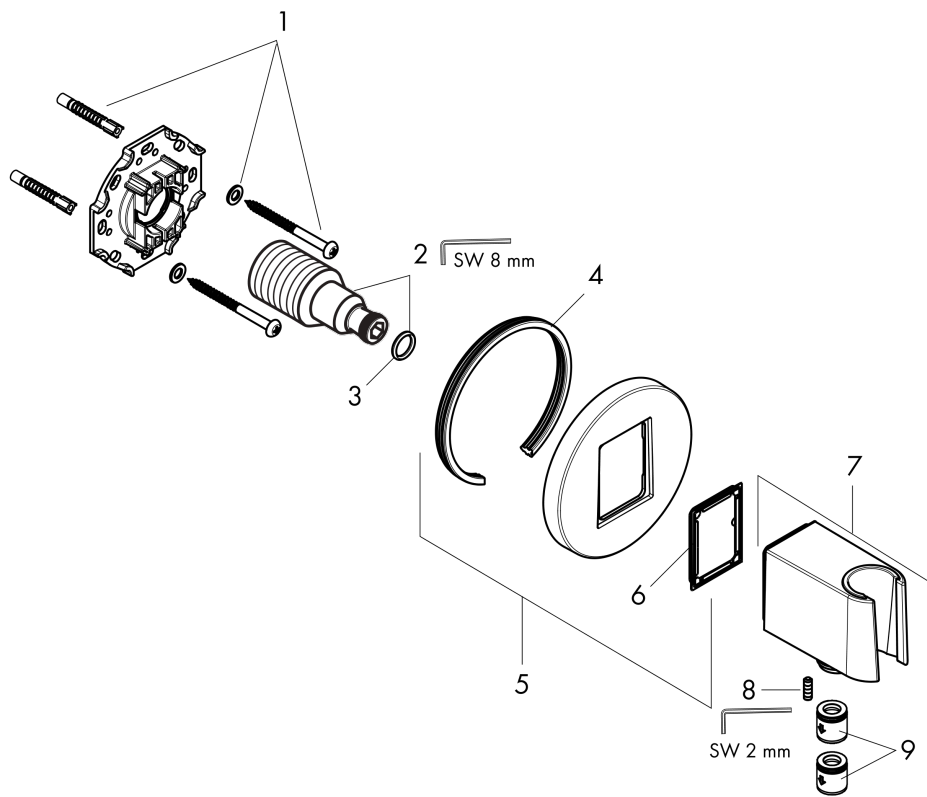


**AXOR ShowerSolutions**  
**Wall Outlet with Handshower Holder, Round**  
 Finish: **brushed black chrome** Part no. : **36733341**



Exploded drawing

Year of production: >07/22



**AXOR ShowerSolutions**  
**Wall Outlet with Handshower Holder, Round**  
 Finish: **brushed black chrome** Part no. : **36733341**



**Spare parts list**

Year of production: >07/22

Pos.	Description	Part no.	Price	PU
1	mounting set	96179000	-	1
2	connecting thread G½	98933000	-	1
3	O-ring 11x2	98127000	-	1
4	seal	97530000	-	1
5	escutcheon	94696340	-	1
6	seal	94694000	-	1
7	shower holder, assy	94695340	-	1
8	null	93841000	-	1
9	set of non return valves DW 15	94074000	-	1