

AXOR ShowerSolutions
Showerhead 220 1-Jet, 1.5 GPM
 Finish: **chrome** Part no. : **35369001**



Description

Features

- Shower head size: 8.66"
- Spray modes: Rain
- Max. flow: 1.5 GPM (5.7 L/Min)
- Spray face finish: Fully-finished matching spray face
- Showerhead removable for cleaning

Item details

List Price \$ 800.00

Technology



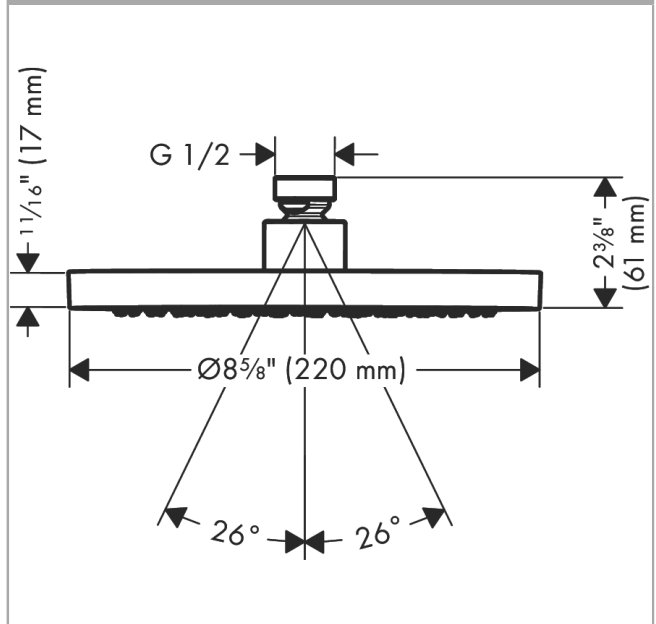
Compliance / Sustainability



Product image



Scale drawing

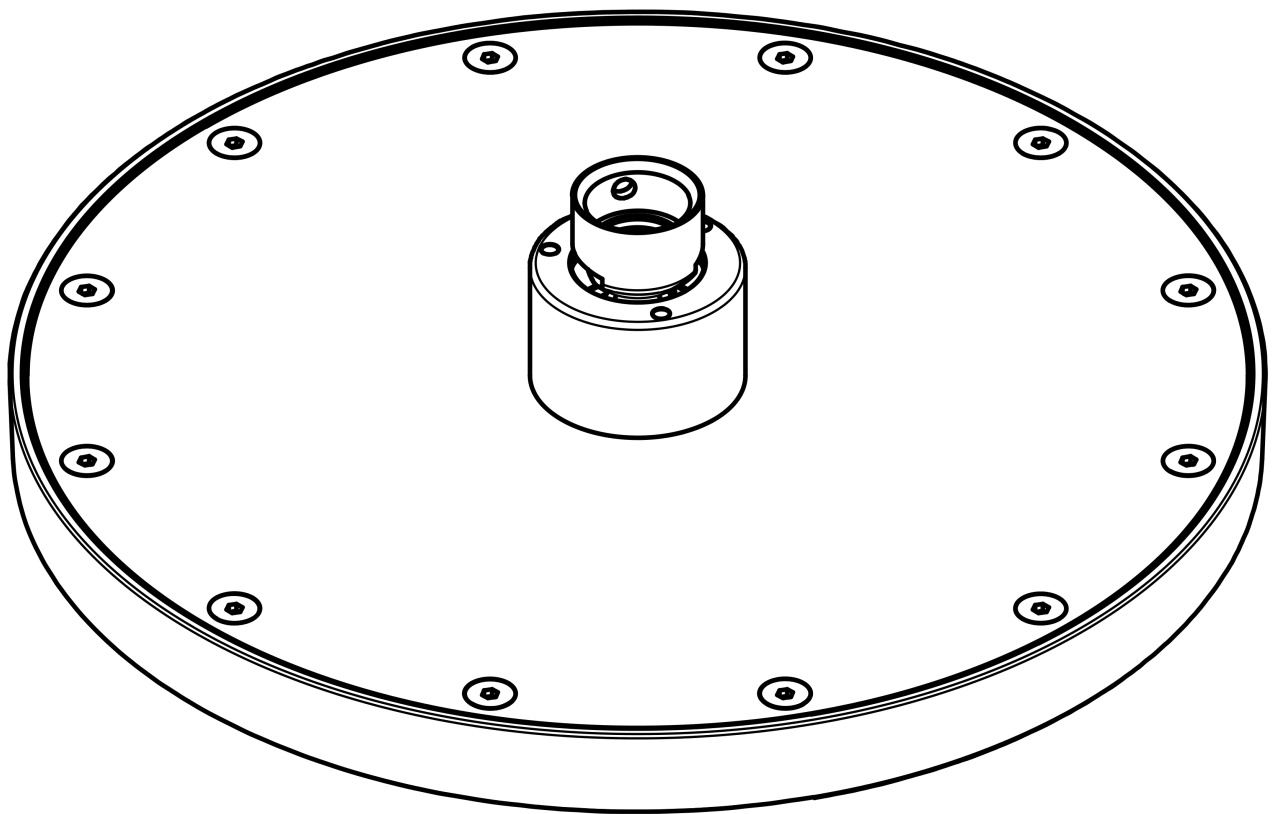
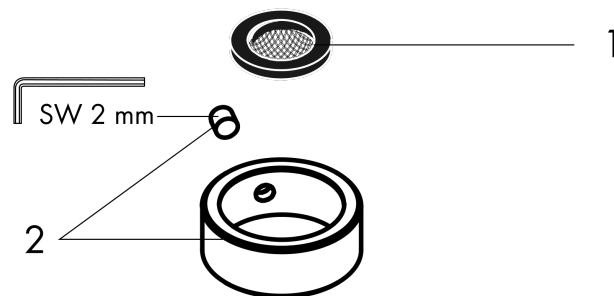


AXOR ShowerSolutions
Showerhead 220 1-Jet, 1.5 GPM
Finish: chrome Part no. : 35369001



Exploded drawing

Year of production: >07/22



AXOR ShowerSolutions
Showerhead 220 1-Jet, 1.5 GPM
 Finish: **chrome** Part no. : **35369001**



Spare parts list

Year of production: >07/22

Pos.	Description	Part no.	Price	PU
1	filter packing	94246000	-	1
2	lock washer	98942001	-	1