

AXOR ShowerSolutions

Showerhead 250 Square 2-Jet with Ceiling Connection, 1.75 GPM

Finish: **chrome** Part no. : **35319001**



Description

Features

- Consists of: Showerhead, ceiling connector, Green Diverter
- Shower head size: 9.84" x 9.84"
- Spray modes: PowderRain, Intense PowderRain
- Max. flow: 1.75 GPM (6.6 L/Min)
- Adjustment with shift on thermostat
- dynamic spray nozzles move out while using
- Showerhead removable for cleaning
- ServiceCard with sieve can be removed without tools for cleaning purpose
- Connection type: Rough

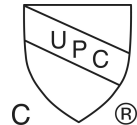
Item details

List Price \$ 1,727.00

Technology



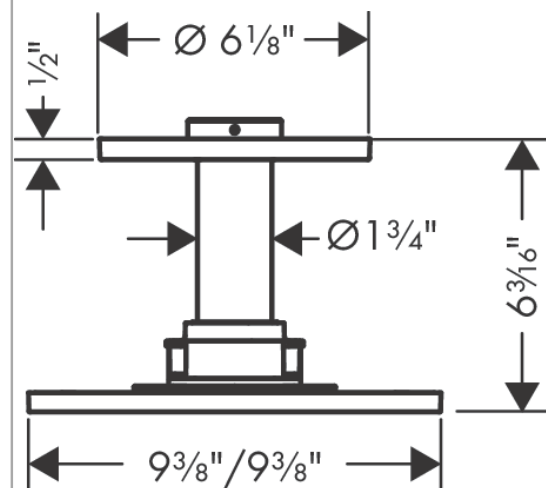
Compliance / Sustainability



Product image



Scale drawing

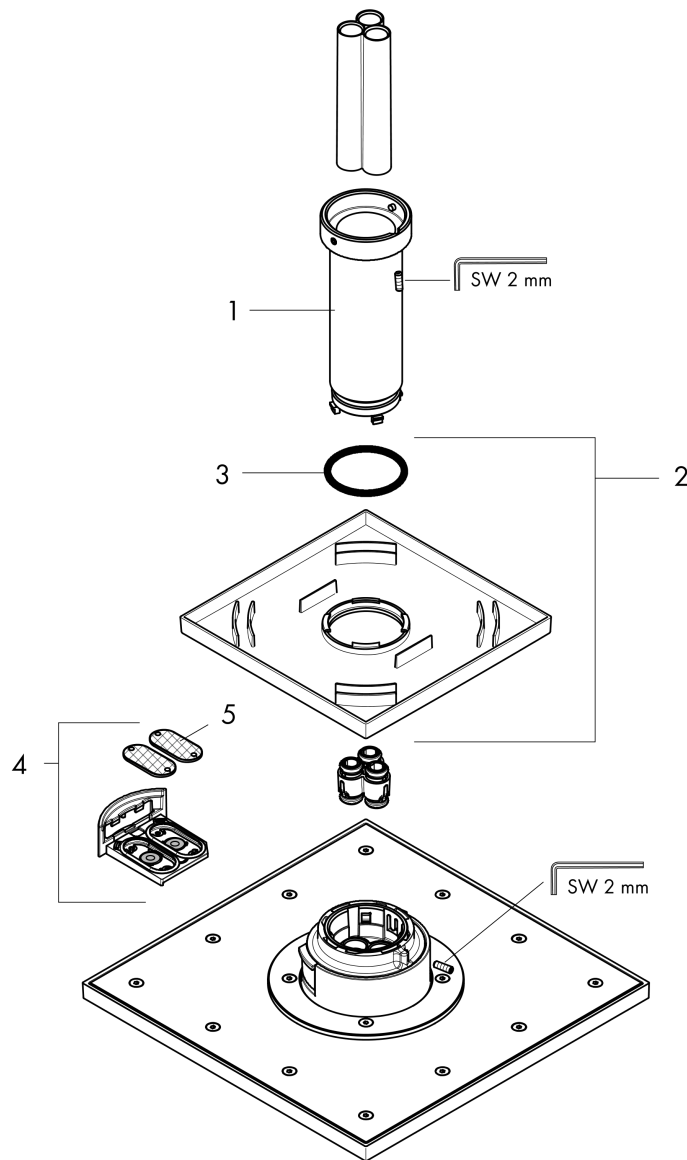


AXOR ShowerSolutions
Showerhead 250 Square 2-Jet with Ceiling Connection, 1.75 GPM
 Finish: **chrome** Part no. : **35319001**



Exploded drawing

Year of production: >12/21



AXOR ShowerSolutions
Showerhead 250 Square 2-Jet with Ceiling Connection, 1.75 GPM
 Finish: **chrome** Part no. : **35319001**



Spare parts list

Year of production: >12/21

Pos.	Description	Part no.	Price	PU
1	sleeve	92709000	-	1
2	escutcheon 155 / 155 mm	92710000	-	1
3	O-ring 42x3,5	92708000	-	1
4	service unit	94448001	-	1
5	filter	93402000	-	1