

**AXOR ShowerSolutions**  
**Showerhead 250 Square 2-Jet with Showerarm Trim, 1.75 GPM**  
 Finish: **chrome** Part no. : **35311001**



**Description**

**Features**

- Consists of: Showerhead, Showerarm, Green Diverter
- Shower head size: 9.84" x 9.84"
- Spray modes: PowderRain, Intense PowderRain
- Max. flow: 1.75 GPM (6.6 L/Min)
- Select button on thermostat
- dynamic spray nozzles move out while using
- Showerhead removable for cleaning
- ServiceCard with sieve can be removed without tools for cleaning purpose

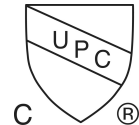
**Item details**

List Price \$ 1,974.00

**Technology**



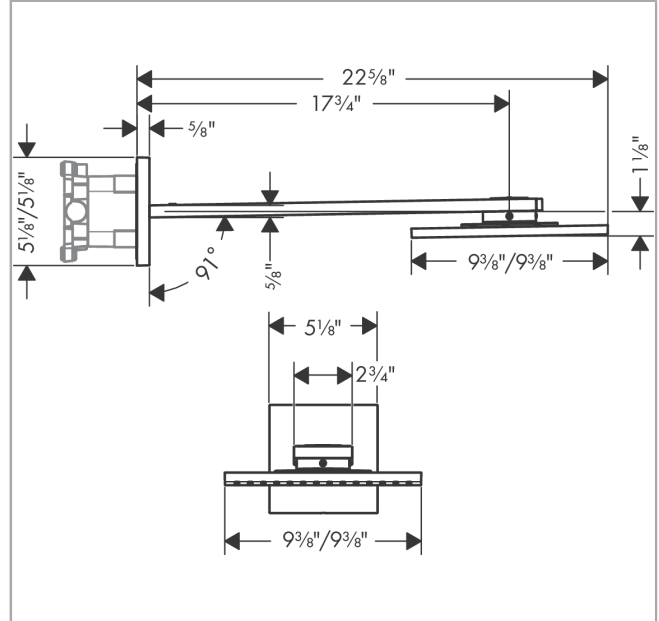
**Compliance / Sustainability**



**Product image**



**Scale drawing**

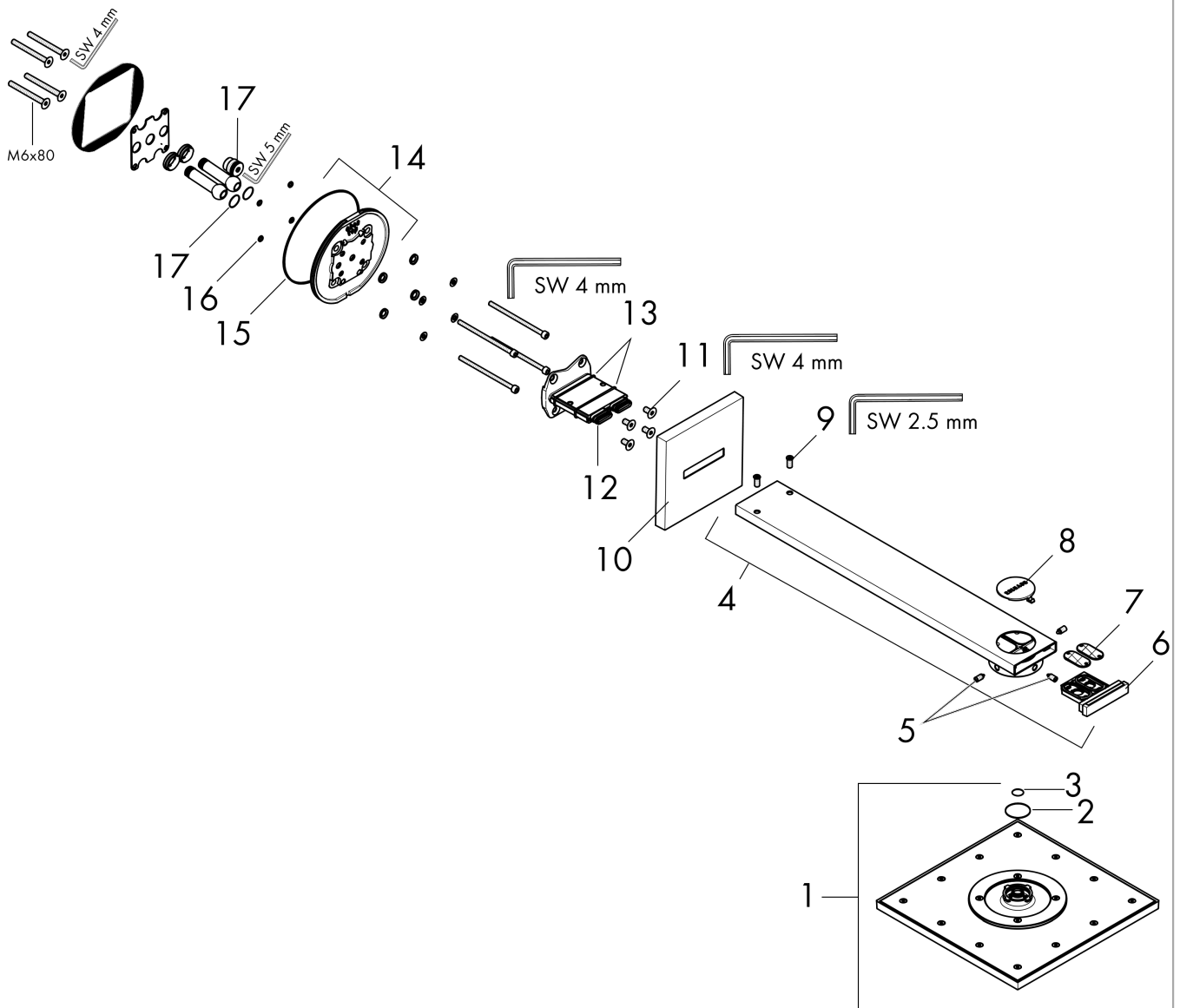


**AXOR ShowerSolutions**  
**Showerhead 250 Square 2-Jet with Showerarm Trim, 1.75 GPM**  
 Finish: **chrome** Part no. : **35311001**



Exploded drawing

Year of production: >07/21



**AXOR ShowerSolutions**  
**Showerhead 250 Square 2-Jet with Showerarm Trim, 1.75 GPM**  
 Finish: **chrome** Part no. : **35311001**



## Spare parts list

Year of production: >07/21

Pos.	Description	Part no.	Price	PU
1	head shower	93460001	-	1
2	O-ring 12x1,5	98430000	-	1
3	O-Ring 28x2	98194000	-	1
4	shower arm cpl.	94446001	-	1
5	set of screws	93454000	-	1
6	service unit	94444001	-	1
7	filter	93402000	-	1
8	press switch	93401000	-	1
9	screw	93431000	-	1
10	escutcheon	93400000	-	1
11	screw	92137000	-	1
12	O-Ring 14x1,5	98201000	-	1
13	O-Ring 30x2	98186000	-	1
14	wall flange	93462000	-	1
15	O-ring 120x2,5	93399000	-	1
16	O-ring 4x1,5	93463000	-	1
17	O-ring 14x2	98129000	-	1